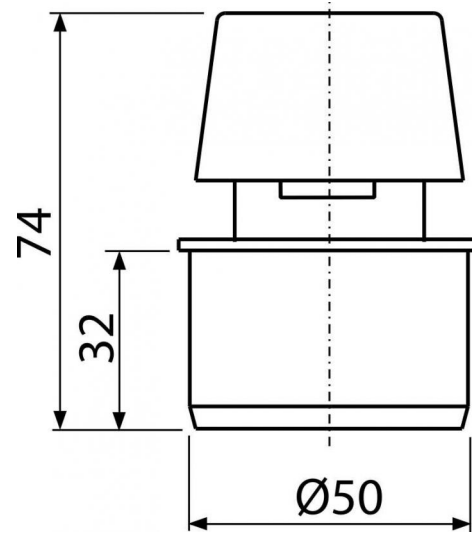


APH50

Air admittance valve DN50



Application

Air admittance to the waste pipe

Features

- Material: polypropylene
- Allows air to be sucked into the waste pipe if vacuum occurs in the system
- It prevents the penetration of odour from the waste pipe
- Ø50 mm

Scope of supply

- Head

Order number, Logistic information

Code	EAN	Weight (kus packing palett)	Dimensions (piece packing)	Quantity (packing palett)
APH50	8594045930856	0,0466 2,3330 0,0000 kg	74x55x55 290x280x240 mm	50 1200 pcs

Guarantee

2/2 years

Customs code

39174000

Norms

EN 12380

Technical specifications

- Airflow at 250 Pa 1,45 l/s