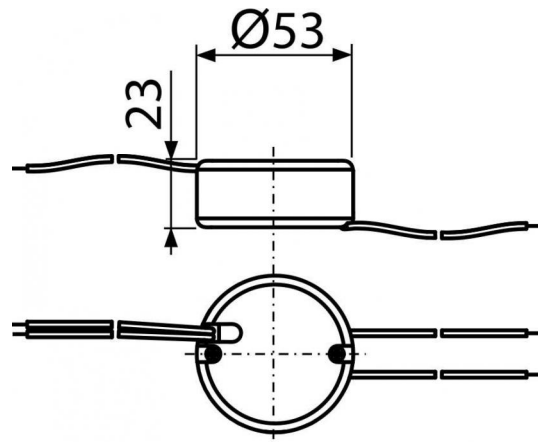


**AEZ310**

Power supply 230 V AC/12 V DC/12 W, IP20

**Application**

For sensor flushing of toilet and urinal

**Features**

- Source of safe voltage 230/12 V power sensor designed for sensor program

**Scope of supply**

- Power supply unit

**Order number, Logistic information**

Code	EAN	Weight (kus   packing   palett)	Dimensions (piece   packing)	Quantity (packing   palett)
AEZ310	8595580503376	0,0510   0,0000   20,0000 kg	65x65x30   – mm	1   – pc

**Guarantee**

2/2 years

**Customs code**

85044090

**Norms**

NV 17/2003, NV 616/2006

**Technical specifications**

- Degree of protection IP20
- Input voltage 230 V AC
- Performance: max. 12 W
- Output voltage 12 V DC
- Output current max. 1 A