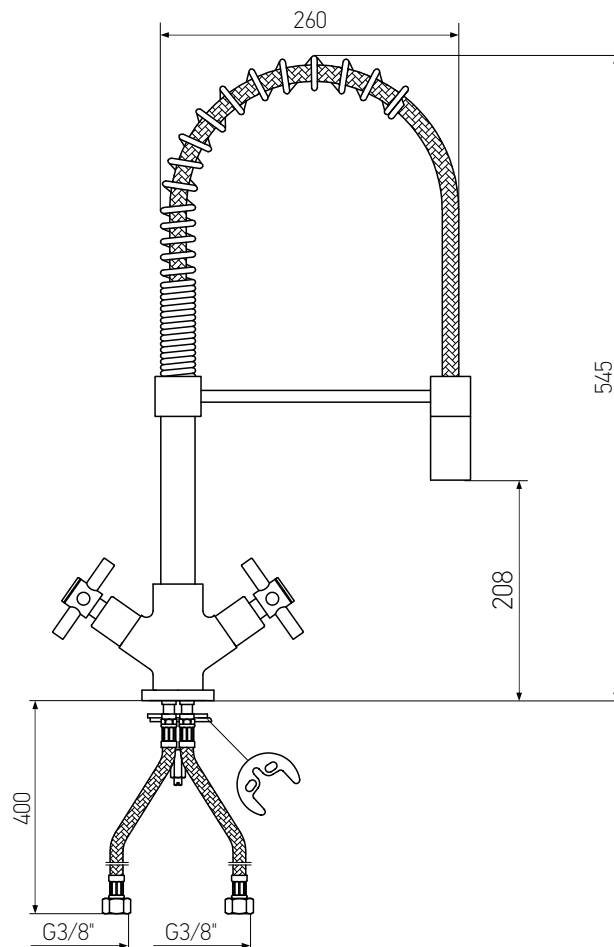


XO

X038801

Baterija za sudoperu
poluprofesionalna

Semi-professional
sink mixer



SLIKA PROIZVODA
I TEHNIČKI CRTEŽ

PRODUCT PICTURE &
TECHNICAL DRAWING

TEHNIČKI PODACI

Dvoručna baterija
Montiranje na jedan otvor
Klasa protoka A
NEOPERL® PERLATOR® HONEYCOMB
Flühs® LIFETIME keramički gornji delovi
Pokretni izliv 360°
INOX set za pričvršćenje
IMQ sertifikovana fleksibilna priključna creva
Klasa bučnosti I

TECHNICAL DETAILS

Two handle mixer
Single hole mounted
Flow class A
Aerator NEOPERL® PERLATOR® HONEYCOMB
Flühs® LIFETIME ceramic head parts
Swivel spout 360°
Stainless Steel rapid instalation set
IMQ certified flexible connection hoses
Noise level I

RADNI USLOVI ARMATURA

- Maksimalni radni pritisak **5 bar**
- Preporučeni radni pritisak **3 bar**
- Minimalni radni pritisak **1 bar**
- Maksimalna dozvoljena temperatura **80°C**
- Preporučena temperatura vode **60°C**

WORKING REQUIREMENTS

- Max. operating pressure **5 bar**
- Recommended operating pressure **3 bar**
- Minimum operating pressure **1 bar**
- Maximum operating temperature **80°C**
- Recommended operating temperature **60°C**