

**Corner shower tray without Anti-Slip**

**852953 000 000 1**

**Corner shower tray with Anti-Slip**

**852953 600 000 1**



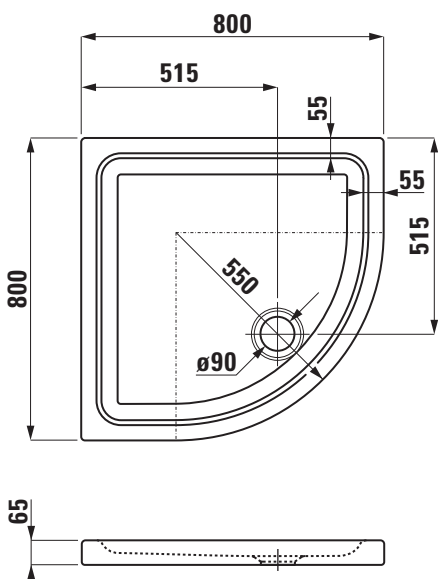
**TECHNICAL DATA / WITHOUT ANTI-SLIP**

Order no.	852953 000 000 1
Dimensions	800 x 800 mm
Depth	65 mm
Specification	quarter circle, standard R550 mm ceramic shower trays without Anti-Slip
Weight	25,5 kg
Mounting acc. excl.	use commercial outlet drain Ø 90 mm
Colours	see colour table

**TECHNICAL DATA / WITH ANTI-SLIP**

Order no.	852953 600 000 1
Standard	DIN 51097, Group B (till 24°)
Dimensions	800 x 800 mm
Depth	65 mm
Specification	quarter circle, standard R550 mm ceramic shower trays with Anti-Slip
Weight	25,5 kg
Mounting acc. excl.	use commercial outlet drain Ø 90 mm
Colours	see colour table

**TECHNICAL DRAWINGS / S 1 : 20**



**TECHNICAL DRAWINGS / S 1 : 20**

