

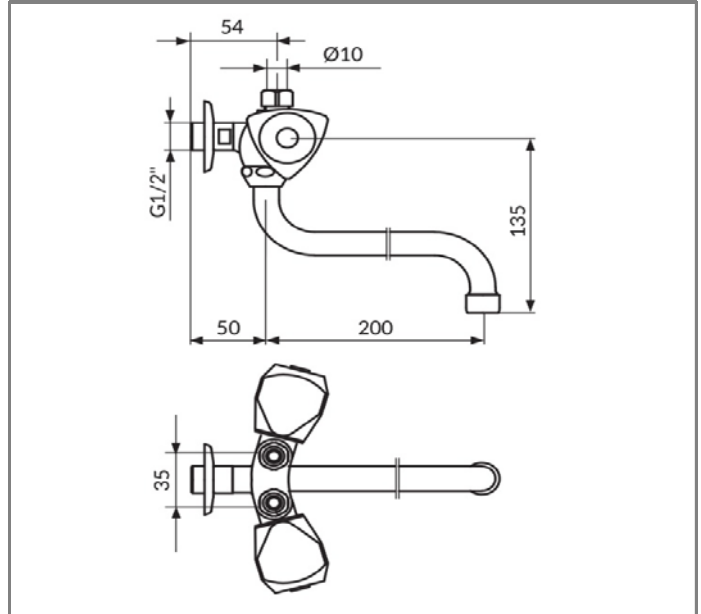
ARTIKAL **KF09102**  
Item

Baterija za sudoperu, električni prelivni bojler  
**Wall type sink mixer, low pressure**

SLIKA PROIZVODA  
Product picture



TEHNIČKA SKICA  
Technical draft



TEHNIČKI PODACI

Dvoručna baterija  
Zidna montaža  
Otvorena veza bojler-baterija  
Smanjeni protok 3 - 5 lit/min  
Usmerivač NEOPERL® NEOSTRAHL®  
Kompresioni gornji deo sa masnom komorom 1/2"  
Rukohvat dim boje  
Hromirana rozeta  
Pokretni izliv 200mm  
Klasa bučnosti II

TECHNICAL DETAILS

Two handle mixer  
Wall mounted  
Open flow waterheater-mixer  
Reduced flow rate 3 - 5 lit/min  
NEOPERL® NEOSTRAHL® Flow Straightener  
Compression cartridge with grease chamber 1/2"  
Fumme handle  
Chromed rossette  
Swivel spout 200mm  
Noise level II

RADNI USLOVI

Maksimalni radni pritisak: 5 bar  
Preporučeni radni pritisak: 3 bar  
Minimalni radni pritisak: 1 bar  
Maksimalna dozvoljena temperatura: 80°C  
Preporučena temperatura vode: 60°C

WORKING CONDITIONS

Max. working pressure : 5 bar  
Suggested working pressure : 3 bar  
Min. working pressure : 1 bar  
Max. working temperature : 80°C  
Suggested max. water temperature : 60°C

[www.rosan.rs](http://www.rosan.rs)

Srbija, 24420 Kanjiža, Dušana Popovića 10.

tel.+381 24-876-744 fax +381 24-876-756, info@rosan.rs

**KLASIK FUMME**