

ARTIKAL  
Item

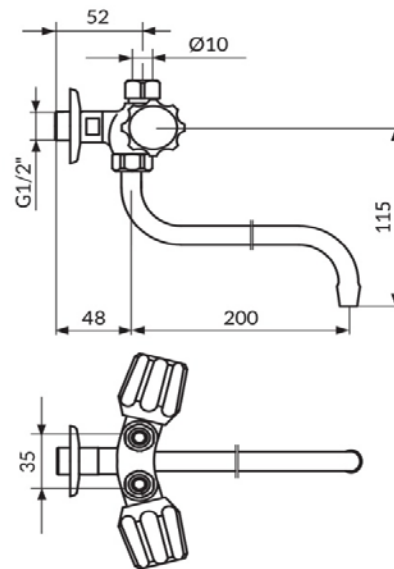
# KF09101

Baterija za sudoperu, električni prelivni bojler  
**Wall type sink mixer, low pressure**

## SLIKA PROIZVODA Product picture



## TEHNIČKA SKICA Technical draft



## TEHNIČKI PODACI

Dvoručna baterija  
Zidna montaža  
Otvorena veza bojler-baterija  
Smanjeni protok 3 - 5 lit/min  
Kompresioni gornji deo sa masnom komorom 3/8"  
ABS trokraki rukohvat  
Hromirana rozeta  
Pokretni izliv 200mm  
Klasa bučnosti II

## TECHNICAL DETAILS

Two handle mixer  
Wall mounted  
Open flow waterheater-mixer  
Reduced flow rate 3 - 5 lit/min  
Compression cartridge with grease chamber 3/8"  
ABS triangle handle  
Chromed rosette  
Swivel spout 200mm  
Noise level II

## RADNI USLOVI

Maksimalni radni pritisak: 5 bar  
Preporučeni radni pritisak: 3 bar  
Minimalni radni pritisak: 1 bar  
Maksimalna dozvoljena temperatura: 80°C  
Preporučena temperatura vode: 60°C

## WORKING CONDITIONS

Max. working pressure : 5 bar  
Suggested working pressure : 3 bar  
Min. working pressure : 1 bar  
Max. working temperature : 80°C  
Suggested max. water temperature : 60°C

[www.rosan.rs](http://www.rosan.rs)

Srbija, 24420 Kanjiža, Dušana Popovića 10.

tel.+381 24-876-744 fax +381 24-876-756, info@rosan.rs

## KLASIK FUMME