

ARTIKAL  
Item

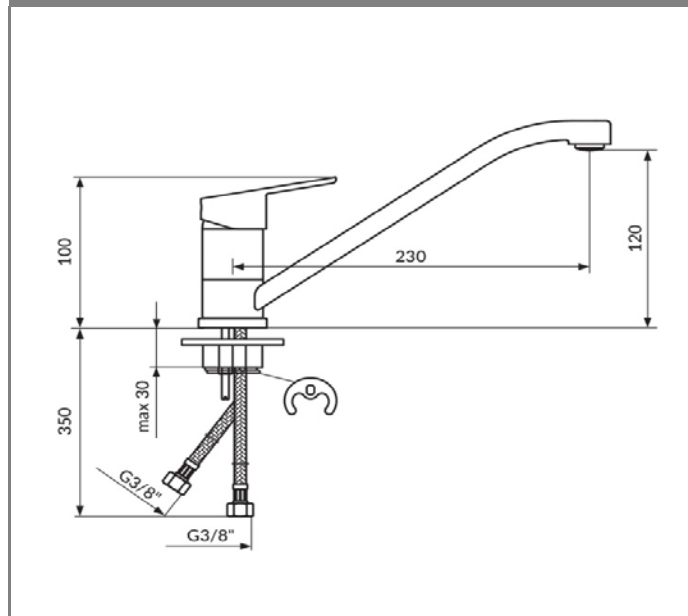
# JA381001

BATERIJA ZA SUDOPERU  
Sink mixer

## SLIKA PROIZVODA Product picture



## TEHNIČKA SKICA Technical draft



## TEHNIČKI PODACI

Jednoručna baterija  
Montiranje na jedan otvor  
Klasa protoka C  
NEOPERL® PERLATOR® COIN SLOT®  
Keramički mešač KEROX® 35 HWS  
Pokretni izliv 360°  
Inox set za pričvršćenje  
CSTB/KIWA sertifikovana fleksibilna priključna creva  
Klasa bučnosti I

## TECHNICAL DETAILS

Single lever mixer  
Single hole assembly  
Flow class C  
NEOPERL® PERLATOR® COIN SLOT®  
Ceramic cartridge KEROX® 35 HWS  
Swivel spout 360°  
Single screw fixing set  
CSTB/KIWA Certified flexible connection hoses  
Noise class I

## RADNI USLOVI

Maksimalni radni pritisak: 5 bar  
Preporučeni radni pritisak: 3 bar  
Minimalni radni pritisak: 1 bar  
Maksimalna dozvoljena temperatura: 80°C  
Preporučena temperatura vode: 60°C

## WORKING CONDITIONS

Max. working pressure : 5 bar  
Suggested working pressure : 3 bar  
Min. working pressure : 1 bar  
Max. working temperature : 80°C  
Suggested max. water temperature : 60°C

[www.rosan.rs](http://www.rosan.rs)

Srbija, 24420 Kanjiža, Dušana Popovića 10.

tel.+381 24-876-744 fax +381 24-876-756, info@rosan.rs

# SMART