

ARTIKAL  
Item

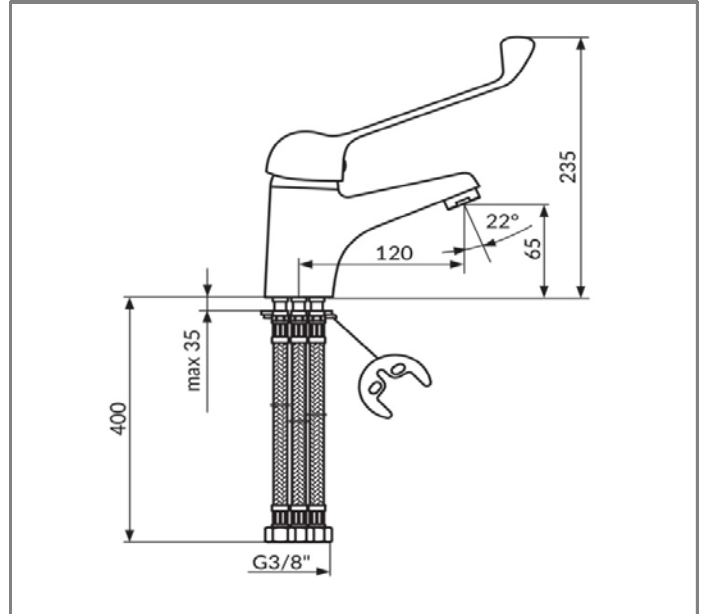
# J30L003

Baterija za lavabo, lekarska elek. prelivni bojler  
**Basin mixer, low pressure, medical handle**

## SLIKA PROIZVODA Product picture



## TEHNIČKA SKICA Technical draft



## TEHNIČKI PODACI

Jednoručna baterija  
Montiranje na jedan otvor  
Otvorena veza bojler-baterija  
Smanjeni protok 3 - 5 lit/min  
Usmerivač NEOPERL® NEOSTRAHL®  
Keramički mešač KEROX® 40 NDO HWS  
Lekarska ručica  
INOX set za pričvršćenje  
IMQ sertifikovana fleksibilna priključna creva  
Klasa bučnosti I

## RADNI USLOVI

Maksimalni radni pritisak: 5 bar  
Preporučeni radni pritisak: 3 bar  
Minimalni radni pritisak: 1 bar  
Maksimalna dozvoljena temperatura: 80°C  
Preporučena temperatura vode: 60°C

## TECHNICAL DETAILS

Single lever mixer  
Single hole mounted  
Open flow waterheater-mixer  
Reduced flow rate 3 - 5 lit/min  
NEOPERL® NEOSTRAHL® Flow Straightener  
Ceramic cartridge KEROX® 40 NDO HWS  
Medical lever  
Stainless Steel rapid instalation set  
IMQ certified flexible connection hoses  
Noise level I

## WORKING CONDITIONS

Max. working pressure : 5 bar  
Suggested working pressure : 3 bar  
Min. working pressure : 1 bar  
Max. working temperature : 80°C  
Suggested max. water temperature : 60°C

[www.rosan.rs](http://www.rosan.rs)

Srbija, 24420 Kanjiža, Dušana Popovića 10.

tel.+381 24-876-744 fax +381 24-876-756, info@rosan.rs

**KING**