

Product information sheet ETAGON 500-U

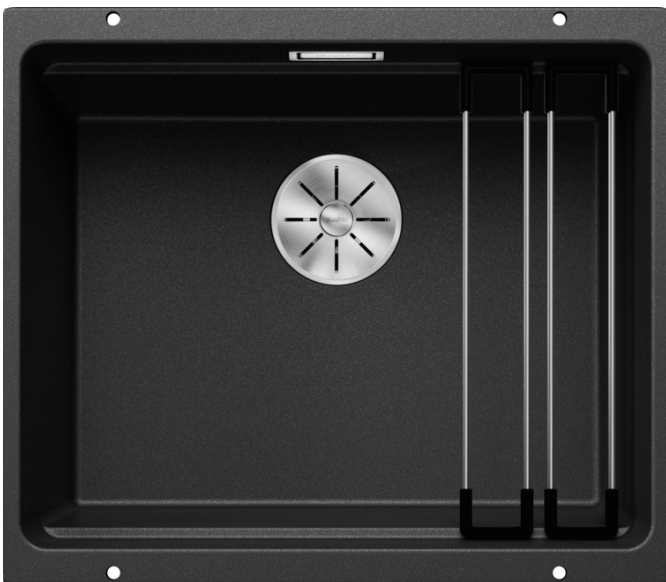
Item no. 522227

Benefits



- Generous staggered bowl with added functionality
- Integrated step creates an additional functional level
- Clever system concept with versatile ETAGON rails
- High-quality features with the covered C-overflow and InFino drain system – elegantly integrated and easy-care
- For undermount installation, ideal in combination with high-quality worktops

Colours



Available colours:

- black
- anthracite
- rock grey
- alu metallic
- white
- jasmine
- tartufo
- coffee

SILGRANIT anthracite

Planning information

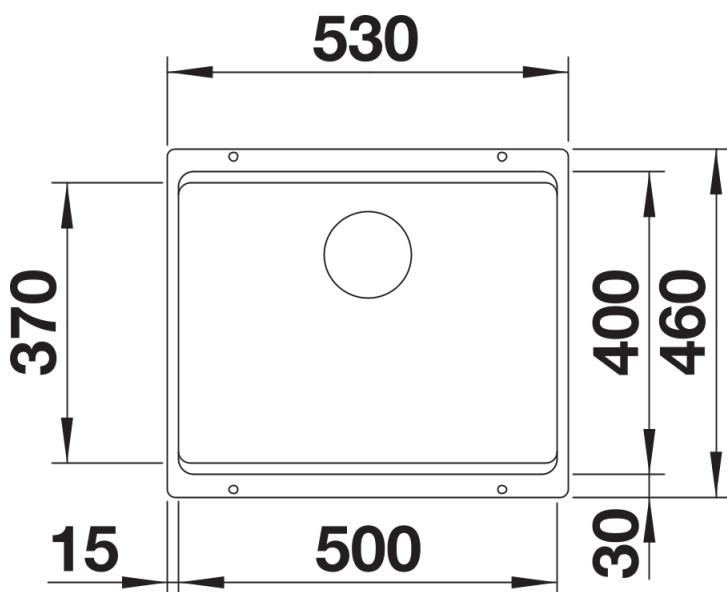
- Cut-out radius: 20 mm

Scope of supply

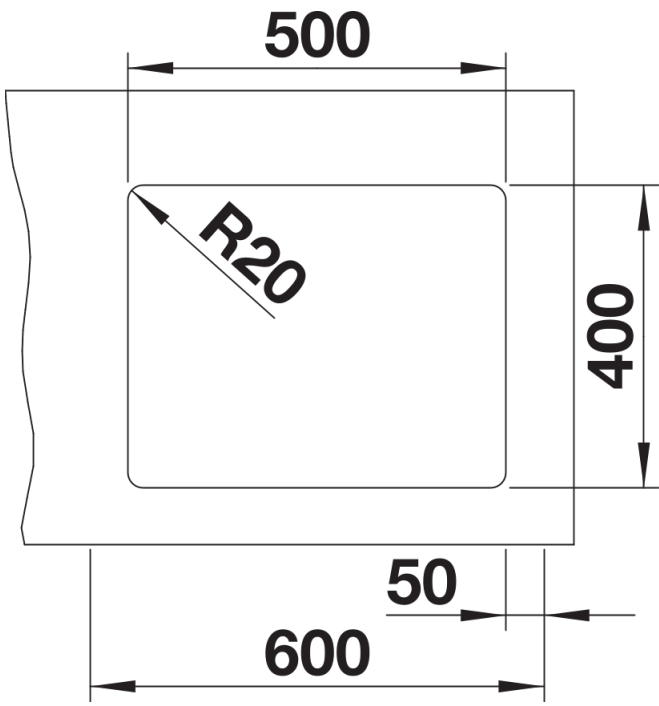
- 2 x ETAGON rails in stainless steel
- waste kit with space-saving pipe
- 3 ½" InFino basket strainer
- fixing kit

234164 - 2 x ETAGON rails

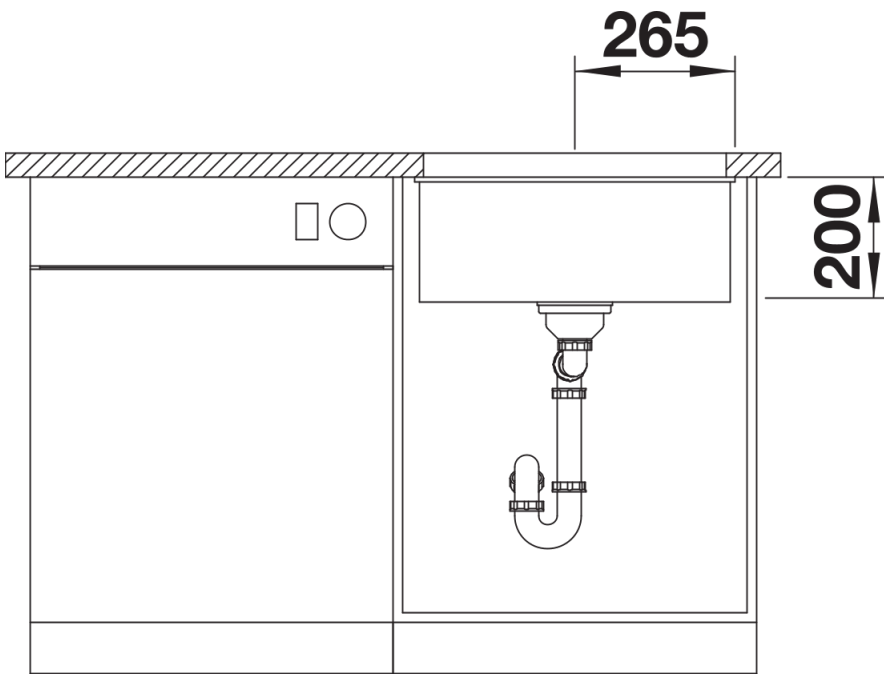
Details



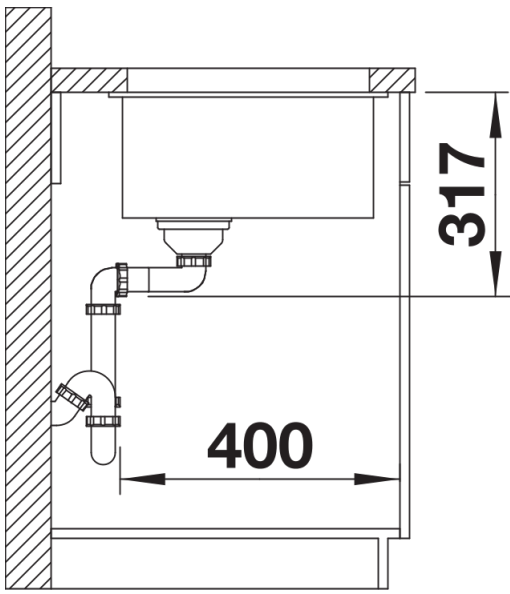
Top view



Cut-out



Front view



Side view