

Focus

Single lever basin mixer 70 LowFlow without waste set

Surfaces: **Chrome** Article Number: **31952000**



Description

product features

- ComfortZone 70
- projection 101 mm
- normal spray
- flow rate at 3 bar: 3.5 l/min
- ceramic cartridge
- temperature limitation adjustable
- suitable for continuous flow water heaters
- connection dimension: DN15
- not included: waste set

Technology



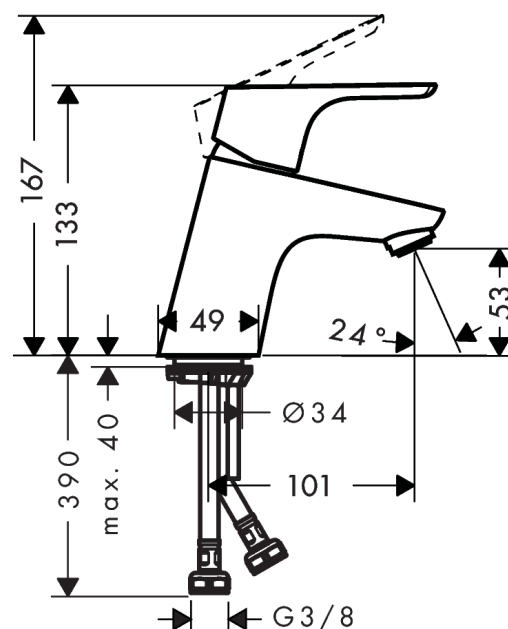
Design awards



Product image



Scale drawing



Flowchart

