

## Raindance Select E Hand shower 150 3jet

Surfaces: **Chrome** Article Number: **26550000**

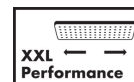


### Description

#### product features

- hand shower with 2-shell construction
- shower head size: 150 mm
- convenient diversion via Select button
- spray type: RainAir, CaresseAir, Mix
- flow rate at 3 bar: 16 l/min
- with internal water conduction
- rinseable dirt filter
- connection thread G 1/2
- connection dimension: DN15
- suitable for continuous flow water heaters
- scope of supply: hand shower, filter seal, assembly instruction

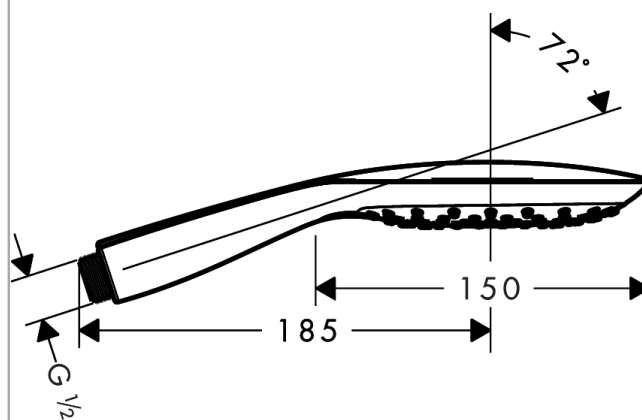
### Technology



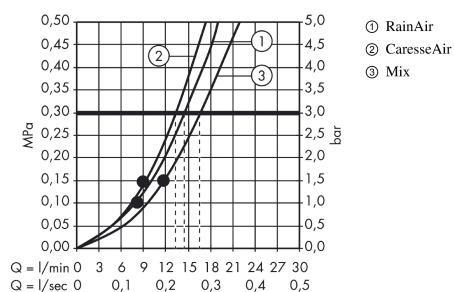
### Product image



### Scale drawing



### Flowchart



The consumption was measured in combination with the appropriate fittings (thermostat/mixer/in-wall valve) to reflect actual application in practice.