

Basic set for Quattro four-way diverter valve for concealed installation

Finish: Article Number: **15930180**



Description

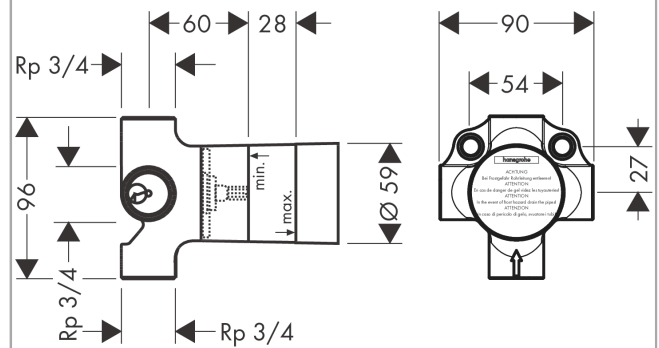
product features

- requires volume control
- 3 functions
- simultaneous utilization of 2 functions
- suitable for all Quattro finish sets
- connection dimension: DN20
- maximum flow rate at 3 bar: 65 l/min
- EPD Basic Sets

Product image



Scale drawing



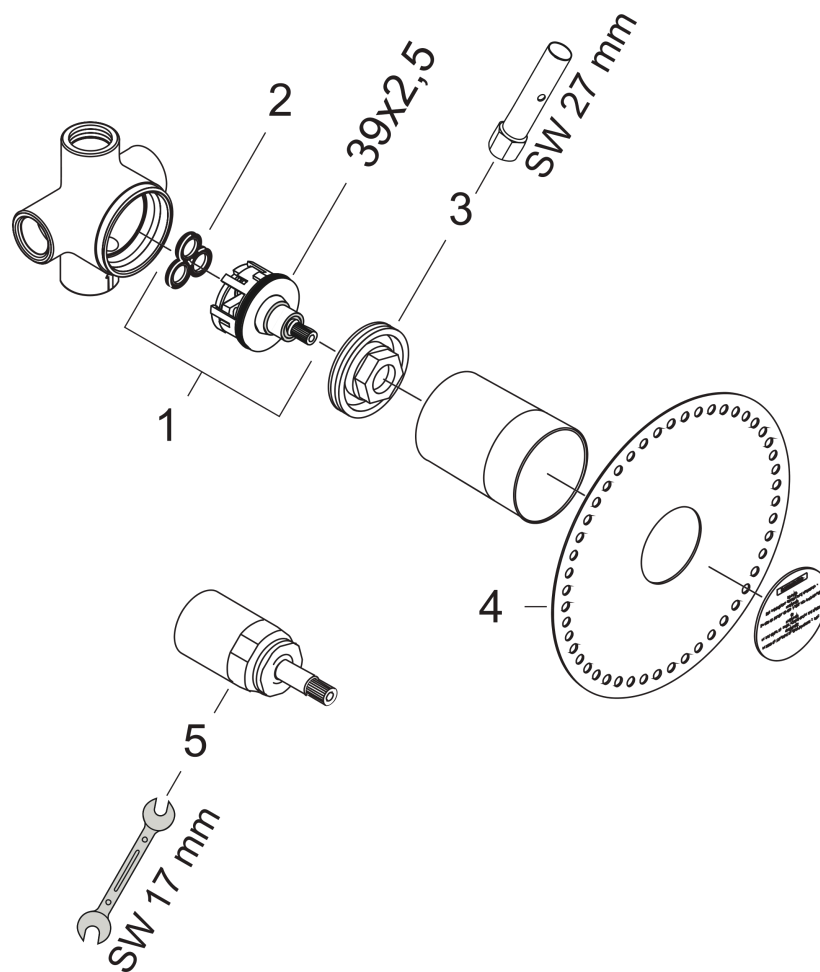
Basic set for Quattro four-way diverter valve for concealed installation

Finish: Article Number: **15930180**



Exploded Drawing

Year of production: >05/01



Basic set for Quattro four-way diverter valve for concealed installation

Finish: Article Number: **15930180**



Spare part list

Year of production: >05/01

Pos.	Description	Article Number	Price	PU
1	diverter unit	96604000	€ 166,48	1
2	sealing set	98798000	€ 11,66	1
3	nut	97550000	€ 14,28	1
4	sealing foil	96493000	€ 8,69	1
5	extension 25 mm	96370000	-	1