

ARTIKAL

131101

Item

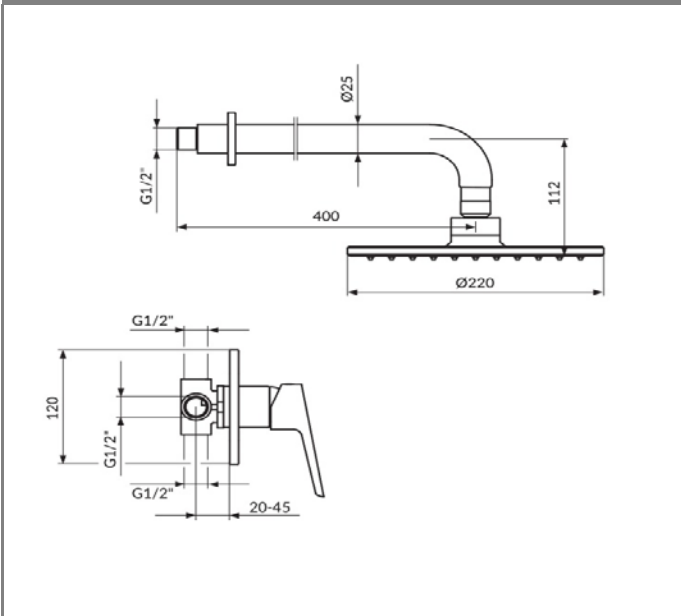
UZIDNA BATERIJA

concealed mixer

SLIKA PROIZVODA
Product picture



TEHNIČKA SKICA
Technical draft



TEHNIČKI PODACI

Jednoručna baterija
Uzidna montaža
Masivna konstrukcija
Klasa protoka 9lit/min
Keramički mešač KEROX® 35 HWS
Tuš ruža D.220mm sa zglobom
Klasa bučnosti II

TECHNICAL DETAILS

Single lever mixer
Built-in the wall
Solid construction
Flow rate 9 lit/min
Ceramic cartridge KEROX® 35 HWS
Shower rose D.220mm with knob
Noise level II

RADNI USLOVI

Maksimalni radni pritisak: 5 bar
Preporučeni radni pritisak: 3 bar
Minimalni radni pritisak: 1 bar
Maksimalna dozvoljena temperatura: 80°C
Preporučena temperatura vode: 60°C

WORKING CONDITIONS

Max. working pressure : 5 bar
Suggested working pressure : 3 bar
Min. working pressure : 1 bar
Max. working temperature : 80°C
Suggested max. water temperature : 60°C

www.rosan.rs

Srbija, 24420 Kanjiža, Dušana Popovića 10.

tel.+381 24-876-744 fax +381 24-876-756, info@rosan.rs

STOLZ