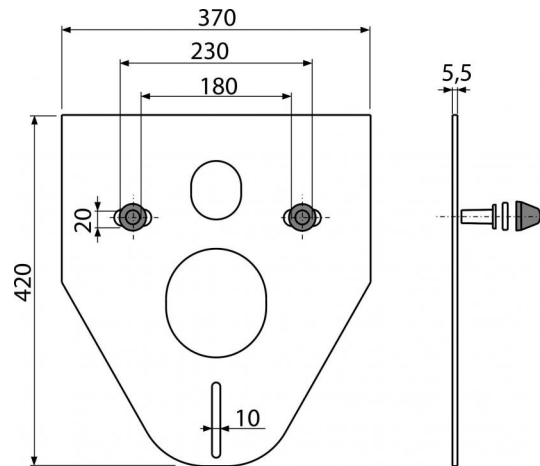
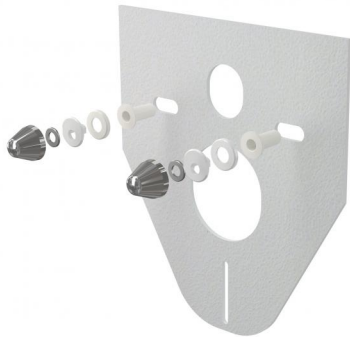


M910CR

Noise insulation for wall-hung WC toilets and bidets with accessories including cover cap (chrome)



Application

For mounting ceramics with connecting pitches 180 mm and 230 mm
 To compensate the inequalities between the ceramics and the tiles
 For WC and wall-hung bidet

Features

- No memory effect
- Simply trimable to the shape of the used ceramics
- Material: XPLE
- Interrupts the transmission of vibrations between the wall and the ceramics

Scope of supply

- Chrome cap 2 pcs
- Insulation board
- Nut M13 – 2 pcs
- Washer for insulation boards 2 pcs
- Nut washer 2 pcs
- Insulation board insert 2 pcs

Order number, Logistic information

Code	EAN	Weight (kus packing palett)	Dimensions (piece packing)	Quantity (packing palett)
M910CR	8595580503000	0,2016 4,9900 99,8400 kg	420×370×5,5 590×430×390 mm	50 800 pcs

Guarantee

2/2 years

Customs code

39269097