

SURFACE

Push-button



DJ0040 – white epoxy finish



DJ0040C – bright finish



DJ0040SC – satin finish

General Description

- Liquid soap dispenser, wall mounted made in stainless steel AISI 304.
- Push-button operated.
- Robust and vandal-resistant.
- Suitable for high traffic facilities.
- Model suitable for public use.
- Allows disinfectant solutions, liquid soaps or hydro-alcoholic gel. Surgical soaps and soaps with solid abrasive particles are not supported.

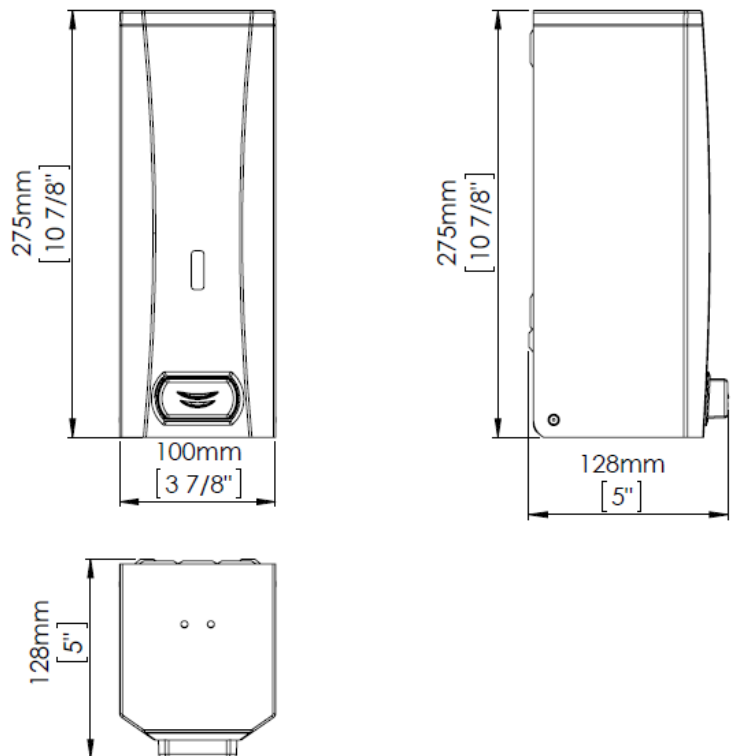
Technical Specifications:

Dimensions	275x100x128 mm
Capacity	1.500 ml
Body, cover & base plate thickness	0.8 mm
Inner Tank Thickness	2.5 mm
Net weight	1.2 Kg
Quantity dispensed per pump	0.8 ml

Components & materials

- **DJ0040:** Stainless steel AISI 304, white epoxy finish.
- **DJ0040C:** Stainless steel AISI 304, bright finish.
- **DJ0040CS:** Stainless steel AISI 304, satin finish.
- Push button made in thermoplastic with stainless steel cover 0,8mm thick.
- Push button frame made in green plastic RAL 7022.
- Content viewer on the front that allows see the soap level in each moment.
- Corrosion-resistant anti-drip valve.
- In inner tank made in plastic, 2,5mm thick.
- Hinged cover for operator convenience and speed of service.
- Opening on top with provided Mediclinics key that allows soap refill.
- It is mounted on the wall by means of 3 stainless steel screws with their corresponding Ø 6mm well plugs (the upper ones attach the dispenser whilst the lower one fix it to the wall).
- Stainless steel screws and plugs are provided.

Dimensions



Dimensions ± 4%

OPERATION

Place one hand just under the soap dispenser valve and press the center push-button until the end of the soap dosage.

MOUNTING TEMPLATE

10-15 cm from shelf.

Mediclinics, S.A., reserves the right to make changes and/or modifications to the products and their specifications without prior notice.
Revision 07-15 © mediclinics. S.A

