

TECEsquare II metal toilet flush plate for dual-flush system

Article number: 9240834

Colour: Matte white

Exhibition samples: Yes

DU 1: 1 pc.

DU 2: 10 pc.

Description:

Flush plate for TECE cisterns, for front or top actuation. Extra-flat metal flush plate with two spring-mounted actuation rocker buttons. Incl. actuation rods, mounting material and disassembly tool. Compatible with insert chute for cleaning tablets.

Dimensions (W x H x D): 220 x 150 x 3 mm

Product supplied with toilet installation frame integrated!

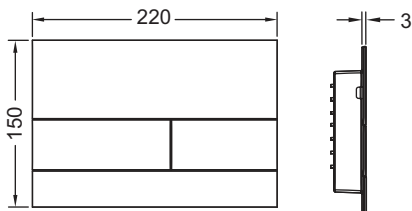
Sales data:

Product name: TECEsquare metal toilet flush plate 2 matte white

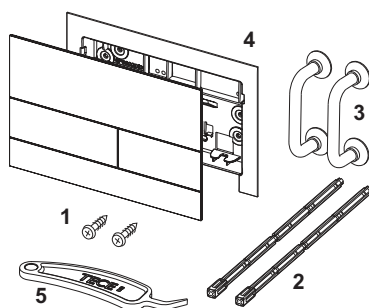
Commodity group: 904

Product group: 2009040070

Dimensional drawings:



Spare parts:



- | | | |
|---|---------|---------------------------------|
| 1 | 9820263 | Fastening screws |
| 2 | 9820022 | Actuation rods |
| 3 | 9820180 | Bow-type handles |
| 4 | 9820347 | Support frame |
| 5 | 9820390 | Dismounting and programming key |