

Corner shower tray without Anti-Slip

853953 000 000 1

Corner shower tray with Anti-Slip

853953 600 000 1



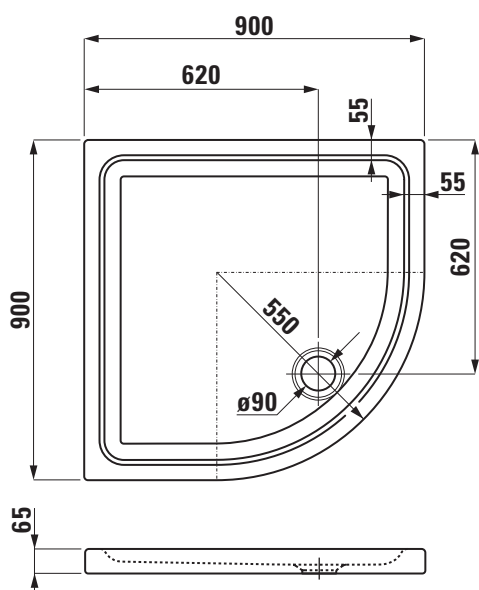
TECHNICAL DATA / WITHOUT ANTI-SLIP

Order no.	853953 000 000 1
Dimensions	900 x 900 mm
Depth	65 mm
Specification	quarter circle, standard R550 mm ceramic shower trays without Anti-Slip
Weight	34,0 kg
Mounting acc. excl.	use commercial outlet drain Ø 90 mm
Colours	see colour table

TECHNICAL DATA / WITH ANTI-SLIP

Order no.	853953 600 000 1
Standard	DIN 51097, Group B (till 24°)
Dimensions	900 x 900 mm
Depth	65 mm
Specification	quarter circle, standard R550 mm ceramic shower trays with Anti-Slip
Weight	34,0 kg
Mounting acc. excl.	use commercial outlet drain Ø 90 mm
Colours	see colour table

TECHNICAL DRAWINGS / S 1 : 20



TECHNICAL DRAWINGS / S 1 : 20

