

ARTIKAL

**JZ38903**

Item

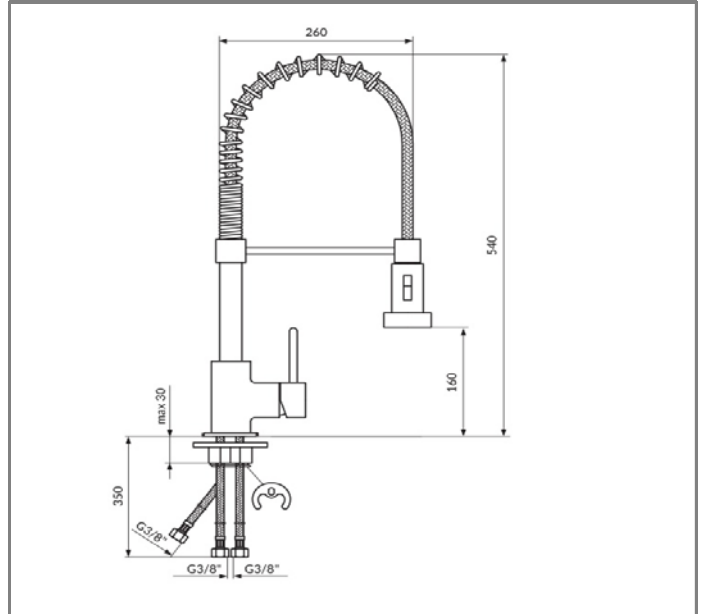
BATERIJA ZA SUDOPERU za EL. PRELIVNI BOJLER

Sink mixer, low pressure

SLIKA PROIZVODA  
Product picture



TEHNIČKA SKICA  
Technical draft



TEHNIČKI PODACI

Jednoručna baterija

Montiranje na jedan otvor

NEOPERL® NEOSTRAHL® DRIPLESS FS®

Keramički mešač KEROX® 35 A NDO HWS

360° rotacioni izliv

Set za brzo pričvršćenje on inoxa

NEOPERL® SPX® priključna creva

TECHNICAL DETAILS

Single lever mixer

Single hole mounted

Jet breaker NEOPERL® NEOSTRAHL® DRIPLESS FS®

Ceramic cartridge KEROX® 35 A NDO HWS

360° swivel spout

Stainless steel fixing set

NEOPERL® SPX® flexible connecting hoses

RADNI USLOVI

Maksimalni radni pritisak: 5 bar

Preporučeni radni pritisak: 3 bar

Minimalni radni pritisak: 1 bar

Maksimalna dozvoljena temperatura: 80°C

Preporučena temperatura vode: 60°C

WORKING CONDITIONS

Max. working pressure : 5 bar

Suggested working pressure : 3 bar

Min. working pressure : 1 bar

Max. working temperature : 80°C

Suggested max. water temperature : 60°C

[www.rosan.rs](http://www.rosan.rs)

Srbija, 24420 Kanjiža, Dušana Popovića 10.

tel.+381 24-876-744 fax +381 24-876-756, info@rosan.rs

**ZERRO**