

MyCube

Single lever basin mixer L with pop-up waste set

Surfaces: **chrome** Article Number: **71011000**



Description

product features

- ComfortZone 100
- projection 108 mm
- normal spray
- flow rate at 3 bar: 5 l/min
- ceramic cartridge
- temperature limitation adjustable
- suitable for continuous flow water heaters
- pop-up waste set G 1
- material waste set: synthetic
- connection dimension: DN15

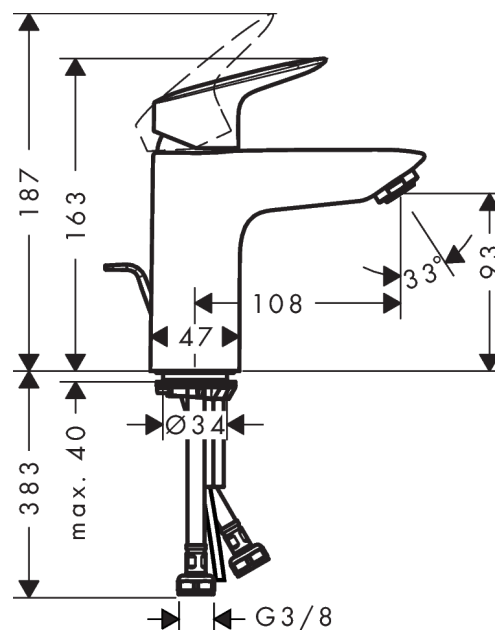
Technology



Product image



Scale drawing



Flowchart

