

**gorenje**



***TG 50-100 NGU***

---

EN	Instructions for Use	3
HR BIH	Upute za upotrebu	8
SR MNE	Uputstva za upotrebu	13
SQ MNE	Udhëzime për përdorim	18
MK	Упатства за употреба	24

# WARNINGS

- ⚠** The appliance may be used by children older than 8 years old, elderly persons and persons with physical, sensory or mental disabilities or lacking experience and knowledge, if they are under supervision or taught about safe use of the appliance and if they are aware of the potential dangers.
- ⚠** Children should not play with the appliance.
- ⚠** Children should not clean or perform maintenance on the appliance without supervision.
- ⚠** Installation should be carried out in accordance with the valid regulations and according to the instructions of the manufacturer and by qualified staff.
- ⚠** In a closed, pressurised system of installation, it is obligatory to install a safety valve on the inlet pipe with a rated pressure of 0.6 MPa (6 bar), 0.9 MPa (9 bar) or 1.0 MPa (10 bar) (see the label), which prevents the elevation of pressure in the boiler by more than 0.1 MPa (1 bar) above the rated pressure.
- ⚠** Water may drip from the outlet opening of the safety valve, so the outlet opening should be set to atmospheric pressure.
- ⚠** The outlet of the safety valve should be installed facing downwards and in a non-freezing area.
- ⚠** To ensure proper functioning of the safety valve, the user should perform regular controls to remove limescale and make sure the safety valve is not blocked.
- ⚠** Do not install a stop valve between the water heater and the safety valve, because it will impair the pressure protection of the heater!
- ⚠** Before connecting it to the power supply, the water heater must be filled with water!
- ⚠** The heater is equipped with an additional thermal cut-off for protection in case of failure of the operating thermostat. In this case, however, the temperature of the water in the heater can reach up to 130 °C according to the safety standards. During the water supply installation, the possibility of temperature overloads should be taken into account.
- ⚠** If the heater is to be disconnected from the power supply, please drain any water from the heater to prevent freezing.
- ⚠** Please do not try to fix any defects of the water heater on your own. Call the nearest authorised service provider.



Our products incorporate components that are both environmentally safe and harmless to health, so they can be disassembled as easily as possible and recycled once they reach their final life stage. Recycling of materials reduces the quantity of waste and the need for production of raw materials (e.g. metals) which requires a substantial amount of energy and causes release of harmful substances. Recycling procedures reduce the consumption of natural resources, as the waste parts made of plastic and metal can be returned to various production processes. For more information on waste disposal, please visit your waste collection centre or the store where the product was purchased.

**Dear buyer, thank you for purchasing our product.**

**Prior to the installation and first use of the electric water heater, please read these instructions carefully.**

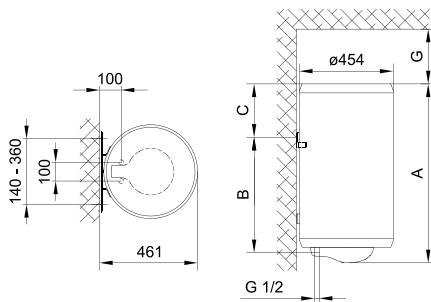
This water heater has been manufactured in compliance with the relevant standards and tested by the relevant authorities as indicated by the Safety Certificate and the Electromagnetic Compatibility Certificate. The technical characteristics of the product are listed on the label affixed between the inlet and outlet pipes. The installation must be carried out by qualified staff. All repairs and maintenance work within the water heater, e.g. lime removal or inspection/replacement of the protective anticorrosion anode, must be carried out by an authorised maintenance service provider.

## INSTALLATION

The water heater shall be installed as close as possible to the outlets. When installing the water heater in a room with a bathtub or shower, take into account the requirements defined in IEC Standard 60364-7-701 (VDE 0100, Part 701). It has to be fitted to the wall using appropriate wall screws with a minimum diameter of 8 mm. A wall with a poor load-bearing capacity must be properly reinforced where the heater will be installed. The water heater may only be fixed upon the wall vertically. We recommend the distance between the water heater and the ceiling is large enough to allow simple replacement of the Mg anode (see dimension G in the Installation Drawing), in order to avoid unnecessary dismounting of the heater during the servicing intervention.

	A	B	C	G
TG 50 N	561	405	145	130
TG 80 N	766	605	150	180
TG 100 N	926	755	160	260

Connection and installation dimensions of the water heater [mm]



## CONNECTION TO THE WATER SUPPLY

The water heater connections for the inlet and outlet of water are colour-coded. The inlet of cold water is marked with blue colour, while the hot water outlet is marked with red colour.

The water heater can be connected to the water supply in two ways. The closed-circuit pressure system enables several points of use, while the open-circuit gravity system enables a single point of use only. The mixer taps must also be installed in accordance with the selected installation mode.

The open-circuit gravity system requires the installation of a non-return valve in order to prevent the water from draining out of the tank in the event of the water supply

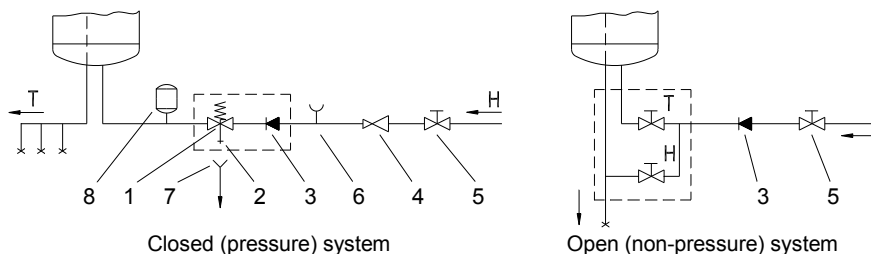
running dry or being shut down. This installation mode requires the use of a cross-flow mixer tap. As the heating of water expands its volume, this causes the tap to drip. The dripping cannot be stopped by tightening it further; on the contrary, the tightening can only damage the tap.

The closed-circuit pressure system requires the use of pressure mixer taps. For safety reasons the supply pipe must be fitted with a safety valve or alternatively, a valve of the safety class that prevents the pressure in the tank from exceeding the nominal pressure by more than 0.1 MPa (1 bar). The outlet opening on the relief valve must be equipped with an outlet for atmospheric pressure.

The heating of water in the heater causes the pressure in the tank to increase to the level set by the safety valve. As the water cannot return to the water supply system, this can result in dripping from the outlet of the safety valve. The drip can be piped to the drain by installing a catching unit just below the safety valve. The drain installed below the safety valve outlet must be piped down vertically and placed in an environment that is free from the onset of freezing conditions.

In case the existing plumbing does not enable you to pipe the dripping water from the safety valve into the drain, you can avoid the dripping by installing a 3-litre expansion tank on the inlet water pipe of the boiler.

In order to provide correct operation of the safety valve, periodical inspections of the relief valve must be carried out by the user to eliminate any limescale and check if the safety valve is blocked. To check the valve, open the outlet of the safety valve by turning the handle or unscrewing the nut of the valve (depending on the type of the valve). The valve is operating properly if the water comes out of the nozzle when the outlet is open.



Legend:

1 - Safety valve

2 - Test valve

3 - Non-return valve

4 - Pressure reduction valve

5 - Closing valve

6 - Checking fitting

7 - Funnel with outlet connection

8 - Expansion tank

H - Cold water

T - Hot water

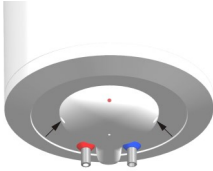
**Between the water heater and safety valve, no closing valve may be built in because it could impede the function of the safety valve.**

The heater can be connected to the domestic water supply network without a pressure-reducing valve if the pressure in the network is lower than the nominal pressure. If the pressure in the network exceeds the nominal pressure, a pressure-reducing valve must be installed.

**Before connecting it to the power supply, the water heater must be filled with water.** When filling the heater for the first time, the tap for the hot water on the mixing tap must be opened. When the heater is filled with water, the water starts to

run through the outlet pipe of the mixing tap.

## CONNECTING THE WATER HEATER TO THE POWER SUPPLY NETWORK



Before connecting to the power supply network, install a power supply cord in the water heater, with a min. diameter of 1.5 mm<sup>2</sup> (H05VV-F 3G 1.5 mm<sup>2</sup>). To do this, the protective plate must be removed from the water heater.

Connecting the heater to the power supply network must take place in accordance with the standards for electric appliances.

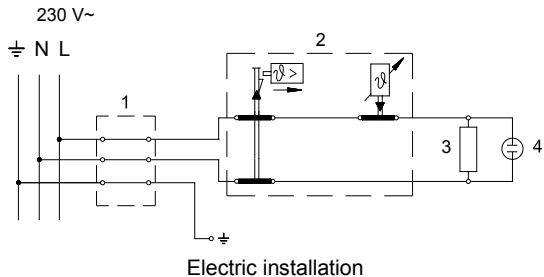
To comply with the national installation regulations, an all poles

disconnect switch must be installed between the water heater and the power supply network.

Legend:

- 1 - Connection terminal
- 2 - Thermostat and bipolar thermal cut-out
- 3 - Electric heating element
- 4 - Pilot lamp

- L - Live conductor
- N - Neutral conductor
- ⊥ - Earthing conductor



**CAUTION: Before any intervention into the interior of the water heater, disconnect it from the power supply network!**

## OPERATION AND MAINTENANCE

After connecting to the water and power supply, the heater is ready for use.

Temperature of water in the appliance is automatically controlled by the thermostat which is adjusted by the manufacturer. The adjustment can be modified by turning of the adjustment screw upon the thermostat in the inner of the water heater. The adjustment range reaches between 10 °C and 65 °C +5 °C/-0 °C. We do not recommend any change of the manufacturers adjustment, thus this ensures the most economical consumption of electric energy and the smallest excretion of lime-stone. The operation of electric immersion heater is shown by pilot light. On the casing of the water heater a bimetal thermometer is mounted, pointing clockwise (to the right) whenever there is hot water in the water heater. The thermometer only gives an approximate temperature of water and is not a measuring device.

When the heater shall not be used during a longer time, it must be disconnected from the electric network. At any risk for freezing of water in the water heater, the water must be emptied from it. Water from the heater is drained through the inlet pipe of the heater. For this purpose, a special fitting (T-fitting) must be mounted between the relief valve and the heater inlet pipe, or a discharge tap. The heater can be

discharged directly through the relief valve, by rotating the handle or the rotating valve cap to the same position as for checking the operation. Before discharge, make sure the heater is disconnected from the power supply, and open the hot water on the connected mixer tap. After discharging through the inlet pipe, there is still some water left in the water heater. The remaining water will be discharged after removing the heating flange, through the heating flange opening.

The external parts of the water heater can be cleaned with a mild detergent solution. Do not use solvents and abrasives.

Regular preventive maintenance inspections ensure faultless performance and long life of your heater. The first of these inspections should be carried out by the authorised maintenance service provider about three years from installation in order to inspect the wear of the protective anticorrosion anode and remove the lime coating and sediment as required. The lime coating and sediment on the walls of the tank and on the heating element is a result of quality, quantity and temperature of water flowing through the water heater. The maintenance service provider shall also issue a condition report and recommend the approximate date of the next inspection.

**Never try to repair any possible faults of the water heater by yourself, but inform about it the nearest authorised service workshop.**

## TECHNICAL PROPERTIES OF THE APPLIANCE

Type		TG 50 N	TG 80 N	TG 100 N
Declared load profile		M	M	L
Energy efficiency class <sup>1)</sup>		D	D	D
Water heating energy efficiency ( $\eta_{wh}$ ) <sup>1)</sup>	[%]	33,6	33,3	35,5
Annual electricity consumption <sup>1)</sup>	[kWh]	1522	1530	2884
Daily electricity consumption <sup>2)</sup>	[kWh]	7,26	7,38	13,57
Thermostat temperature settings		eco		
Value of "smart"		0	0	0
Volume	[l]	47,5	76,1	96,1
Quantity of mixed water at 40 °C V40 <sup>2)</sup>	[l]	66,5	96,5	131,4
Rated pressure	[MPa (bar)]	0,6 (6) / 0,9 (9) / 1,0 (10)		
Weight / Filled with water	[kg]	21/71	27/107	31/131
Anti-corrosion of tank enamelled / Mg Anode		• / •	• / •	• / •
Power of electrical heater	[W]	2000		
Voltage	[V~]	230		
Protection class		I		
Degree of protection		IP23		
Heating time from 10 °C to 65 °C	[h]	1 <sup>38</sup>	2 <sup>37</sup>	3 <sup>16</sup>

1) EU Regulation 812/2013; EN 50440

2) EN 50440

WE RESERVE THE RIGHT TO MAKE CHANGES THAT DO NOT IMPAIR THE FUNCTIONALITY OF THE DEVICE.

The user manual can also be found at our website <http://www.gorenje.com>.

# UPOZORENJA

- ⚠ Uređaj mogu koristiti djeca starija od 8 godina i osobe sa smanjenim tjelesnim, osjetnim ili mentalnim sposobnostima, odnosno nedovoljnim iskustvom ili znanjem samo ako su pod nadzorom ili podučeni o uporabi uređaja na siguran način i ako razumiju potencijalne opasnosti.
- ⚠ Djeca se ne smiju igrati uređajem.
- ⚠ Čišćenja i održavanja uređaja ne smiju obavljati djeca bez nadzora.
- ⚠ Ugradnju treba obaviti sukladno važećim propisima i prema uputama proizvođača. Mora ju obaviti stručno osposobljen monter.
- ⚠ Za zatvoreni tlačni sustav priključenja, na dovodnu cijev grijalice vode obvezatno ugradite sigurnosni ventil s nazivnim tlakom 0,6 MPa (6 bara), 0,9 MPa (9 bara) ili 1,0 MPa (10 bara) (vidi pločicu s natpisom), koji sprječava povećanje tlaka u kotlu za više od 0,1 MPa (1 bar) iznad nazivnoga tlaka.
- ⚠ Voda može kapati iz odvodnog otvora sigurnosnoga ventila, stoga odvodni otvor mora biti otvoren na atmosferski tlak.
- ⚠ Ispust sigurnosnoga ventila mora biti postavljen u smjeru nadolje i na mjestu na kojem neće smrznuti.
- ⚠ Za pravilan rad sigurnosnoga ventila treba periodično obavljati kontrole radi uklanjanja vodenoga kamenca i provjeravati da sigurnosni ventil nije blokiran.
- ⚠ Između grijalice vode i sigurnosnoga ventila nije dozvoljeno ugrađivati zaporni ventil jer bi se time onemogućila tlačna zaštita grijalice!
- ⚠ Prije priključenja na električne instalacije obvezatno prvo napunite grijalicu vodom!
- ⚠ Grijalica je dodatnim termičkim osiguračem zaštićena u slučaju otkazivanja radnoga termostata. U slučaju otkazivanja termostata, sukladno sigurnosnim standardima, voda u grijalici može dostići temperaturu i do 130 °C. Prilikom postavljanja vodovodnih instalacija obvezatno valja uvažavati činjenicu da su moguća navedena preopterećenja temperature.
- ⚠ Ako budete isključivali grijalicu iz električne mreže, morate ispustiti vodu zbog opasnosti od smrzavanja.
- ⚠ Molimo: eventualne kvarove na grijalici nemojte popravljati sami već obavijestite najbliži ovlašteni servis o tome.



Naši su proizvodi opremljeni ekološki besprijekornim i zdravstveno ispravnim neškodljivim komponentama te su proizvedeni tako da se u svojoj posljednjoj fazi trajanja mogu što jednostavnije rastaviti i reciklirati.

Reciklažom materijala smanjuju se količine otpada i potreba za proizvodnjom osnovnih materijala (naprimjer kovine), što iziskuje puno energije i uzrokuje emisije štetnih tvari. Postupcima reciklaže smanjuje se potrošnja prirodnih izvora budući da se otpadni dijelovi od plastike i kovine ponovno vraćaju u različite proizvodne procese. Za više informacija o sustavu odlaganja otpadaka posjetite lokalni centar za odlaganje otpadaka ili trgovca kod kojeg ste kupili proizvod.



**Poštovani kupci! Zahvaljujemo na povjerenju koje ste nam iskazali kupnjom našega proizvoda.**

**MOLIMO PRIJE MONTAŽE I PRVE UPORABE POMNO PROČITAJTE UPUTE ZA MONTAŽU, UPORABU I ODRŽAVANJE ELEKTRIČNE GRIJALICE VODE.**

Grijalica je proizvedena sukladno važećim standardima i službeno je ispitana te su joj dodijeljeni sigurnosni certifikat i certifikat o elektromagnetskoj kompatibilnosti.

Osnovna tehnička svojstva grijalice navedena su na natpisnoj tablici koja je nalijepljena između priključnih cijevi. Priključenje grijalice na vodovodnu i električnu mrežu može obaviti isključivo stručno osposobljena osoba.

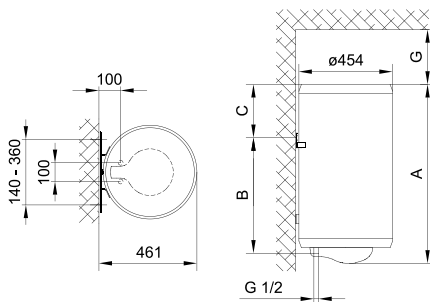
Zahvate u njezinu unutrašnjost zbog popravka, uklanjanja vodenoga kamenca te provjere ili zamjene zaštitne anode protiv korozije obavlja isključivo ovlaštena servisna služba.

## MONTAŽA

Grijalicu montirajte što je moguće bliže potrošačkome mjestu. Ako uređaj za grijanje ugrađujete u prostor u kojem su kada za kupanje ili tuš, obavezno morate uzeti u obzir zahtjeve standarda IEC 60364-7-701 (VDE 0100, Teil 701). Na zid ju pričvrstite dvama vijcima za zid, nazivnoga promjera od najmanje 8 mm. Ako je nosivost zida koji je namijenjen montaži grijalice neodgovarajući, zid treba primjereno ojačati. Grijalica se smije pričvrstiti na zid isključivo u uspravnome položaju. Zbog lakše kontrole i zamjene magnezijske anode vam preporučujemo da između vrha uređaja za grijanje i stropa ostavite dovoljno prostora (pogledaj mjeru G na skici priključnih mjera). U suprotnom će slučaju pri navedenom servisnom zahvatu biti potrebno uređaj za grijanje demontirati sa zida.

	A	B	C	G
TG 50 N	561	405	145	130
TG 80 N	766	605	150	180
TG 100 N	926	755	160	260

Priključne i montažne  
mjere grijalice [mm]



## PRIKLJUČAK NA VODOVODNU MREŽU

Dovod i odvod vode na cijevima grijalice označeni su u boji. Dovod hladne vode označen je plavom a odvod tople vode crvenom bojom.

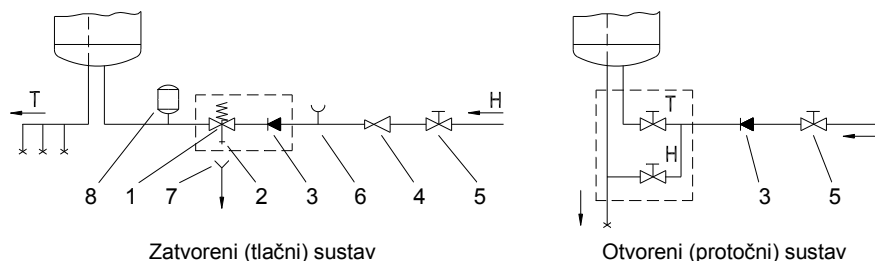
Grijalicu možete priključiti na vodovodnu mrežu na dva načina. Zatvoreni, tlačni sustav priključenja omogućuje odljev vode na više odljernih mjesta, a sustav bez tlaka dovoljan je samo za jedno odljevno mjesto. Ugradnja i odabir miješalice ovise o izboru sustava priključenja.

Kod otvorenoga sustava bez tlaka ispred grijalice treba ugraditi nepovratni ventil koji

spriječava istjecanje vode iz kotla u slučaju prekida dovoda vode u mreži. Za taj sustav priključenja morate koristiti protočnu miješalicu. Zapremina vode u grijalici povećava se uslijed zagrijavanja, što prouzrokuje kapanje vode iz cijevi miješalice. Kapanje vode ne možete spriječiti jakim zatezanjem ručke na miješalici; tako samo možete uništiti miješalicu.

Kod zatvorenog tlačnoga sustava priključenja na odljevnim mjestima morate koristiti tlačne miješalice. Radi sigurnosti na dovodnu cijev treba ugraditi sigurnosni ventil ili sigurnosnu grupu koja sprječava povišenje tlaka u kotliću na 0,1 MPa (1 bar) više od nazivne vrijednosti. Ispusni otvor na sigurnosnome ventilu obvezatno mora sadržati izlaz na atmosferski tlak. Prilikom zagrijavanja vode u grijalici tlak vode u kotlu povećava se do granice koja je podešena na sigurnosnome ventilu. Budući da je vraćanje vode natrag u vodovodnu mrežu spriječeno, može se pojaviti kapanje vode iz odvodnoga otvora sigurnosnog ventila. Vodu koja kapa možete sprovesti u odvod preko lijevka za prihvat, koji se postavlja ispod sigurnosnog ventila. Odvodna cijev koja je postavljena ispod ispusta sigurnosnoga ventila mora biti postavljena vodoravno prema dolje na mjestu na kojem ne može smrznuti. Ako već postavljena instalacija ne omogućuje da vodu koja kaplje iz sigurnosnog ventila možete sprovesti u odvod, kapanje se može izbjeći ugradnjom ekspanzijske posude zapremnine od 3 l na dovodnu cijev grijalice.

Za pravilan rad sigurnosnoga ventila morate sami periodično obavljati provjere kako bi se uklonio vodeni kamenac i provjerila eventualna blokada sigurnosnoga ventila. Prilikom provjere morate pomicanjem ručke ili odvijanjem matice ventila (ovisno o vrsti ventila) otvoriti istjecanje iz sigurnosnog ventila. Pritom kroz sapnicu ventila za istjecanje mora priteći voda, što znači da je ventil besprijekoran.



Legenda:

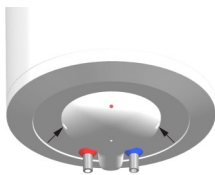
- |                              |                                    |
|------------------------------|------------------------------------|
| 1 - Sigurnosni ventil        | 6 - Ispitni nastavak               |
| 2 - Ispitni ventil           | 7 - Čašica s priključkom na izljev |
| 3 - Nepovratni ventil        | 8 - Ekspanzijska posuda            |
| 4 - Redukcijski ventil tlaka | H - Hladna voda                    |
| 5 - Zaporni ventil           | T - Topla voda                     |

**POZOR!** Između uređaja i sigurnosnog ventila ne smije se ugraditi zaporni ventil jer bi se time onemogućio rad uređaja.

Grijalicu možete priključiti na vodovodnu mrežu objekta bez redukcijskoga ventila ako je tlak u mreži niži od nazivnoga tlaka. Ako tlak u mreži premašuje nazivni tlak, morate obvezatno ugraditi redukcijski ventil.

**Grijalicu morate obvezatno napuniti vodom prije priključenja na električnu mrežu.** Prilikom prvoga punjenja otvorite ručku s toplom vodom na miješalici. Grijalica je puna kada voda protječe kroz cijev miješalice.

# PRIKLJUČIVANJE NA ELEKTRIČNU MREŽU



Najprije s raspakirane grijalice odvijačem skinite zaštitnu kapu s njezina kućišta. Prije priključivanja na električnu mrežu u grijalicu treba ugraditi priključnu vrpcu minimalna promjera od najmanje 1,5 mm<sup>2</sup> (H05VV-F 3G 1,5 mm<sup>2</sup>).

Priključivanje grijalice na električnu mrežu mora se obaviti sukladno standardima za postavljanje električnih instalacija.

Između grijalice vode i trajne instalacije mora biti ugrađen

uređaj za odvajanje svih polova od električne mreže sukladno nacionalnim instalacijskim propisima.

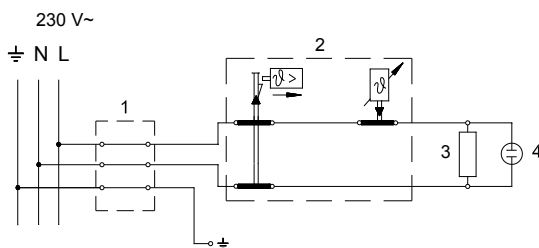
Legenda:

- 1 - Priključna spojka
- 2 - Termostat i dvopolni toplinski osigurač
- 3 - Grijač
- 4 - Signalno svjetlo

L - Fazni vodič

N - Neutralni vodič

⊕ - Zaštitni vodič



Električna spojna shema

**POZOR! Prije svakoga zahvata u unutarnjost grijalice obavezno isključiti grijalicu iz električne mreže.**

## UPOTREBA I ODRŽAVANJE

Grijalica je pripravna za uporabu nakon priključenja na vodovodnu i električnu mrežu. Temperaturu vode u aparatu automatski podešava tvornički podešen termostat a temperaturne vrijednosti možemo sami mijenjati po želji obrtanjem namjenskog vijka termostata unutar grijalice. Područje podešavanja jest od 10 °C do 65 °C +5 °C/-0 °C. Budući da već u tvornici podešen termostat osigurava najekonomičniji trošak električne energije kao i najminimalniju količinu stvaranja vapnenca, tvornički podešene vrijednosti nije preporučivo mijenjati.

Djelovanje električnog grijača prikazuje kontrolna lampica. Grijalica ima na obodu bimetalni termometar koji se, kada je u napravi za grijanje prisutna topla voda, nagne u smjeru kazaljke na satu prema desno. Termometar okvirno prikazuje temperaturu vode i ne služi kao mjerni instrument.

U koliko aparat ne kanimo koristiti dulje vrijeme, isključimo ga iz električne mreže.

Ako je grijalica montirana u prostoriji gdje postoji opasnost zamrznuća, moramo istočiti svu vodu iz grijalice. Voda iz grijalice prazni se kroz dovodnu cijev grijalice. U tu je svrhu preporučljivo prilikom ugradnje, između sigurnosnoga ventila i dovodne cijevi grijalice postaviti poseban fitting (T-komad) ili ispusni ventil. Grijalicu možete također isprazniti neposredno kroz sigurnosni ventil pomicanjem ručice, odnosno

okretne kapice ventila u položaj kao prilikom provjere rada. Prije pražnjenja valja isključiti grijalicu iz električne mreže, a zatim otvoriti ručicu za toplu vodu na priključenoj bateriji za miješanje. Nakon pražnjenja vode kroz dovodnu cijev grijalice ostaje manja količina vode koja prilikom uklanjanja grijače prirubnice iscure kroz otvor grijače prirubnice.

Vanjski dio grijalice čistite blagom otopinom deterdženta. Nemojte koristiti gruba sredstva za čišćenje.

Redovitom servisnom kontrolom osigurat ćete besprijekoran rad i dug životni vijek grijalice. Jamstvo u slučaju pojave rđe vrijedi ako ste obavljali redovite preglede istrošenosti zaštitne anode. Intervali pojedinačnih pregleda ne smiju biti dulji od 36 mjeseci. Preglede mora obavljati ovlašteni serviser koji pregled evidentira u jamstvenome listu proizvođača. Prilikom kontrole potrebno je provjeriti istrošenost zaštitne anode od korozije te prema potrebi očistiti vodeni kamenac koji se s obzirom na kakvoću, količinu i temperaturu potrošene vode nakuplja u unutrašnjosti grijalice. Servisna služba preporuča datum naredne kontrole s obzirom na stanje grijalice.

**POZOR! Eventualne kvarove grijalice nemojte popravljati sami već potražite stručnu intervenciju najbliže ovlaštene servisne službe.**

## TEHNIČKA SVOJSTVA UREĐAJA

Tip		TG 50 N	TG 80 N	TG 100 N
Deklarirani profil opterećenja		M	M	L
Razred energetske učinkovitosti <sup>1)</sup>		D	D	D
Energetska učinkovitost pri zagrijavanju vode ( $\eta_{wh}$ ) <sup>1)</sup>	[%]	33,6	33,3	35,5
Godišnja potrošnja električne energije <sup>1)</sup>	[kWh]	1522	1530	2884
Dnevna potrošnja električne energije <sup>2)</sup>	[kWh]	7,26	7,38	13,57
Postavka temperature na termostatu		eco		
Vrijednost oznake "smart"		0	0	0
Korisna zapremnina	[l]	47,5	76,1	96,1
Količina miješane vode pri 40 °C V40 <sup>2)</sup>	[l]	66,5	96,5	131,4
Nazivni tlak	[MPa (bar)]	0,6 (6) / 0,9 (9) / 1,0 (10)		
Masa grijalice/napunjene vodom	[kg]	21/71	27/107	31/131
Zaštita kotla od korozije Emajlirano / Mg anoda		• / •	• / •	• / •
Snaga električnoga grijača	[W]	2000		
Priključni napon	[V~]	230		
Klasa zaštite		I		
Stupanj zaštite		IP23		
Vrijeme zagrijavanja od 10 °C do 65 °C	[h]	1 <sup>38</sup>	2 <sup>37</sup>	3 <sup>16</sup>

1) Uredba komisije EU 812/2013; EN 50440

2) EN 50440

PRIDRŽAVAMO PRAVO NA IZMJENE KOJE NE UTJEČU NA FUNKCIONALNOST UREĐAJA. Upute za uporabu dostupne su i na našoj internetskoj stranici <http://www.gorenje.com>.

# UPOZORENJA

- ⚠ Uređaj mogu da koriste deca starija od 8 godina i osobe sa smanjenim telesnim, osetnim ili mentalnim sposobnostima, odnosno nedovoljnim iskustvom ili znanjem samo ako su pod nadzorom ili podučeni o upotrebi aparata na bezbedan način i ako razumeju potencijalne opasnosti.
- ⚠ Deca ne smeju da se igraju uređajem.
- ⚠ Čišćenja i održavanja uređaja ne smeju da obavljaju deca bez nadzora.
- ⚠ Ugradnja mora biti izvedena u skladu sa važećim propisima i prema uputstvima proizvođača. Mora je obaviti stručno osposobljeni monter.
- ⚠ Kod zatvorenog sistema pritiska, prilikom priključivanja potrebno je na dotočnu cev bojlera obavezno ugraditi sigurnosni ventil sa potrebnim pritiskom 0,6 MPa (6 bar), 0,9 MPa (9 bar) ili 1,0 MPa (10 bar) (vidite tablicu sa natpisom), koji sprečava povećanje pritiska u kotlu za više od 0,1 MPa (1 bar) iznad nazivnog.
- ⚠ Voda može da kaplje iz odvodnog otvora sigurnosnog ventila, zato odvodni otvor mora da bude otvoren na atmosferski pritisak.
- ⚠ Ispust sigurnosnog ventila mora da bude postavljen u smeru na dole i na mestu na kome neće smrznuti.
- ⚠ Za pravilan rad sigurnosnog ventila potrebno je periodično obavljati kontrole, odstranjivati vodeni kamenac i proveravati da sigurnosni ventil nije blokiran.
- ⚠ Između bojlera i sigurnosnog ventila nije dozvoljeno ugrađivati ventil za zatvaranje, jer time onemogućavate zaštitu bojlera pod pritiskom!
- ⚠ Pre električnog priključivanja, potrebno je bojler obavezno najpre napuniti vodom!
- ⚠ Bojler je zaštićen za slučaj otkazivanja radnog termostata dodatnim toplotnim osiguračem. U slučaju otkazivanja termostata, u skladu sa sigurnosnim standardima, voda u bojleru može da dostigne temperaturu i do 130 °C. Prilikom montiranja vodovodnih instalacija, potrebno je obavezno uzeti u obzir da može doći do navedenih temperaturnih preopterećenja.
- ⚠ Ako bojler isključite iz električne mreže, zbog opasnosti od zamrzavanja, morate da isпустite vodu iz njega.
- ⚠ Molimo da eventualne kvarove ne popravljate sami nego da o njima obavestite najbližu servisnu službu.



Naši proizvodi su opremljeni komponentama koje nisu štetne po zdravlje i životnu sredinu i napravljeni su tako da ih u njihovoj zadnjoj životnoj fazi možemo što jednostavnije rastaviti i reciklirati. Reciklažom materijala smanjujemo količine otpadaka i smanjujemo potrebu za proizvodnjom osnovnih materijala (na primer metala) koja zahteva ogromno energije i uzrokuje ispuste štetnih materija. Reciklažnim postupcima tako smanjujemo potrošnju prirodnih resursa jer otpadne delove od plastike i metala ponovo vraćamo u različite proizvodne procese. Za više informacija o sistemu odlaganja otpadaka posetite svoj centar za odlaganje otpadaka ili trgovca, kod koga je proizvod kupljen.

**Poštovani kupci, zahvaljujemo vam se što ste kupili naš proizvod.  
MOLIMO DA PRE MONTAŽE I PRVE UPOTREBE BOJLERA PAŽLJIVO  
PROČITATE UPUTSTVO.**

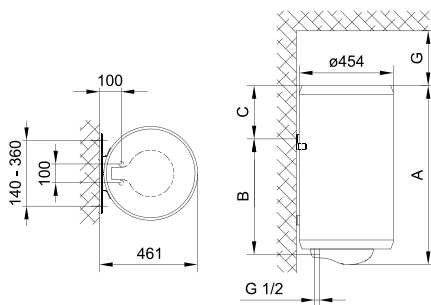
Bojler je proizveden u skladu sa važećim standardima i zvanično je ispitano, za njega je izdat bezbednosni sertifikat i sertifikat o elektromagnetskoj kompatibilnosti. Njegove osnovne tehničke karakteristike su navedene na natpisnoj pločici koja je zalepljena između priključnih cevi. Priklučenje bojlera na vodovodnu i električnu mrežu može da izvrši samo stručnjak koji je osposobljen za to. Bilo kakav zahvat u unutrašnjost bojlera zbog popravljanja, uklanjanja vodenog kamenca i proveravanja ili zamenjivanja antikorozivne zaštitne anode, može da izvrši samo ovlašćena servisna služba.

## MONTAŽA

Montirajte bojler što bliže priključku za vodu i pričvrstite ga na zid odgovarajućim vijcima. Ako bojler ugradite u prostoriju u kojoj je kada za kupanje ili tuš, obavezno bi trebalo da se uvažavaju zahtevi standarda IEC 60364-7-701 (VDE 0100, Teil 701). Na zid ga pričvrstite pomoću dva zavrtnja za montažu na zid, sa nominalnim presekom od najmanje 8 mm. Ako je nosivost zida neodgovarajuća, mesto na kome montirate bojler morate da ojačate na odgovarajući način. Bojler se pričvršćuje na zid isključivo vertikalno. Zbog lakše kontrole i zamene magnezijumove anode preporučujemo vam da između vrha bojlera i tavanice ostavite dovoljno prostora (vidi meru G na skici priključnih mera). U suprotnom slučaju biće prilikom navedene intervencije potrebno bojler demontirati sa zida.

	A	B	C	G
TG 50 N	561	405	145	130
TG 80 N	766	605	150	180
TG 100 N	926	755	160	260

Priključne i montažne  
mere bojlera [mm]



## PRIKLJUČIVANJE NA VODOVOD

Dovod i odvod vode su označeni bojama na cevima bojlera. Dovod hladne vode je označen plavom, a odvod tople vode crvenom bojom. Bojler možete da priključite na vodovodnu mrežu na dva načina. Zatvoreni sistem (pod pritiskom), omogućava ispuštanje vode na više mesta, a otvoreni sistem (bez pritiska) dozvoljava samo jedno mesto ispuštanja vode.

S obzirom na sistem priključivanja koji izaberete, morate da ugradite i adekvatnu bateriju za mešanje. Kod otvorenog sistema (bez pritiska) ispred bojlera morate da ugradite nepovratni ventil koji sprečava izlivanje vode iz kotla, ako nestane vode u

vodovodnoj mreži.

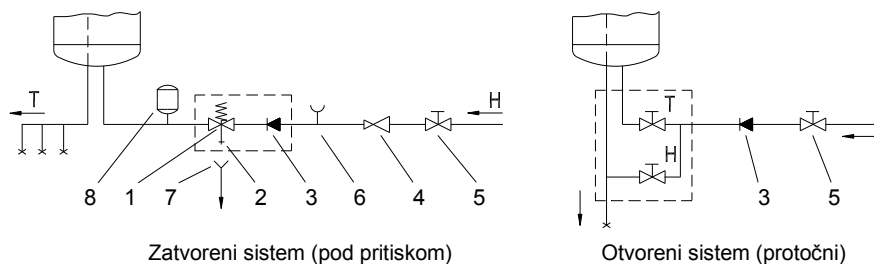
Kod ovog sistema priključivanja morate da ugradite protočnu bateriju za mešanje. U bojleru se zbog zagrevanja povećava zapremina vode, što uzrokuje kapljanje iz cevi baterije za mešanje. Jakim zatezanjem ručice baterije za mešanje nećete sprečiti kapljanje nego možete samo da pokvarite bateriju.

Kod zatvorenog sistema priključivanja (pod pritiskom), na mestima ispuštanja vode morate ga ugradite baterije za mešanje, namenjene za rad pod pritiskom. Na odvodnu cev bi trebalo radi bezbednosti rada obavezno da se ugradi sigurnosni ventil ili sigurnosnu komponentu koja sprečava povećanje pritiska u kotlu za više od 0,1 MPa (1 bar) više od nominalnog. Otvor za ispuštanje vode na sigurnosnom ventilu mora obavezno da ima izlaz na atmosferski pritisak.

Kad se voda u kotlu zagreva, povećava se i pritisak, ali do granice koju dozvoljava sigurnosni ventil. Pošto je vraćanje vode u vodovodnu mrežu blokirano, može doći do kapanja vode iz odlivnog otvora sigurnosnog ventila. Te kapljice vode možete da usmerite u odvod preko posebnog sistema za ispuštanje vode, koji morate da postavite ispod sigurnosnog ventila.

Odvodna cev, smeštena ispod elementa za ispuštanje na sigurnosnom ventilu, mora da bude nameštena u smeru pravo nadole i na temperaturi na kojoj ne smrzava.

U slučaju da zbog već postavljene instalacije nemate mogućnost da vodu koja kapa iz sigurnosnog ventila sprovedete u odvod, kapanje možete da izbegnete tako da na dovodnu cev bojlera ugradite ekspanzione posude zapremine od 3 l. Za pravilan rad sigurnosnog ventila morate sami periodično da vršite kontrolu da biste uklonili vodeni kamenac i proverili eventualne blokade sigurnosnog ventila. Kod proveravanja, pomicanjem ručke ili odvijanjem matice zavrtnja (zavisno od vrste zavrtnja) otvorite ispuštanje iz sigurnosnog ventila. Pri tome kroz mlaznicu ventila za isticanje mora da proteče voda, kao znak da je ventil besprekoran.



Legenda:

- |                                  |                                   |
|----------------------------------|-----------------------------------|
| 1 - Sigurnosni ventil            | 6 - Ispitni nastavak              |
| 2 - Ventil za testiranje         | 7 - Cevak sa priključkom na odvod |
| 3 - Nepovratni ventil            | 8 - Ekspanzioni sud               |
| 4 - Ventil za redukciju pritiska | H - Hladna voda                   |
| 5 - Zaporni ventil               | T - Topla voda                    |

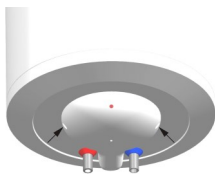
**Između bojlera i sigurnosnog ventila ne sme da se ugrađuje ventil za zatvaranje vode jer bi se time onemogućilo delovanje sigurnosnog ventila.**

Bojler možete da priključite na vodovodnu mrežu objekta bez redukcionog ventila ako je pritisak u mreži niži od nominalnog pritiska. Ako je pritisak u mreži viši od nominalnog pritiska, morate obavezno da ugradite redukциони ventil.

**Pre nego što priključite bojler na električnu mrežu obavezno ga napunite**

**vodom.** Prilikom prvog punjenja otvorite slavinu za toplu vodu. Bojler je pun kad iz slavine počne da teče voda.

## PRIKLJUČIVANJE NA ELEKTRIČNU MREŽU



Pre priključivanja na električnu mrežu potrebno je da u bojler ugradite priključnu traku minimalnog preseka od najmanje  $1,5 \text{ mm}^2$  (H05VV-F 3G  $1,5 \text{ mm}^2$ ). Da bi se to učinilo, odvijte zaštitni poklopac na bojleru.

Priključenje bojlera na električnu mrežu mora da se izvrši u skladu sa standardima za postavljanje električne instalacije. Između bojlera i trajne instalacije mora da bude ugrađen

uređaj za odvajanje svih polova od električne mreže u skladu sa nacionalnim instalacionim propisima.

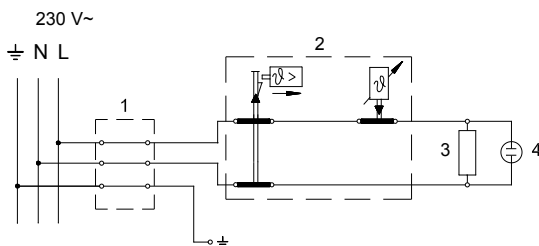
Legenda:

- 1 - Priključne kleme
- 2 - Termostat i dvopolni toplotni osigurač
- 3 - Grejač
- 4 - Kontrolna svetiljka

L - Faza

N - Neutralni provodnik

⊕ - Uzemljenje



Šema povezivanja električnih provodnika

**UPOZORENJE:** Pre svake intervencije u unutrašnjosti bojlera obavezno isključite bojler iz električne mreže!

## UPOTREBA I ODRŽAVANJE

Posle priključivanja na vodovodnu i električnu mrežu bojler je spreman za upotrebu. Temperaturu vode u bojleru automatski reguliše fabrički podešen termostat. Temperatura se može podešavati okretanjem vijka na termostatu u unutrašnjosti bojlera. Područje podešavanja se kreće od  $10 \text{ }^{\circ}\text{C}$  do  $65 \text{ }^{\circ}\text{C} +5 \text{ }^{\circ}\text{C}/-0 \text{ }^{\circ}\text{C}$ . Ne preporučujemo vam da menjate fabrički podešenu temperaturu jer je to temperatura na kojoj je potrošnja električne energije ekonomična, a taloženje kamenca najmanje. Delovanje električnog elementa za grejanje pokazuje kontrolna svetiljka. Grejač ima na ivici bimetalni termometar, koji se pokreće u smeru kazaljke na satu u desno, kada je u grejaču prisutna topla voda. Termometar okvirno prikazuje temperaturu vode i nije merni instrument. Ako bojler ne nameravate da koristite duže vreme, isključite ga iz električne mreže. Ako postoji opasnost da se voda u bojleru zamrzne, ispuštite vodu iz bojlera. Voda iz bojlera se ispušta kroz dovodnu cev bojlera. U tom cilju preporučljivo je prilikom ugradnje između sigurnosnog ventila i dovodne cevi grejanja namestiti poseban "fiting" (T-deo) ili ispusni ventil. Bojler takođe možete da ispraznite



i neposredno kroz sigurnosni ventil pomeranjem ručice, odnosno obrtne kapice ventila u položaj kao prilikom proveravanja rada. Pre pražnjenja isključite bojler iz električne mreže i zatim otvorite ručicu za toplu vodu na priključenoj bateriji za mešanje. Posle pražnjenja vode kroz dovodnu cev, u bojlery ostaje manja količina vode koja ističe prilikom odstranjivanja grejne prirubnice kroz otvor grejne prirubnice. Kućište bojlera čistite blagim rastvorom praška za pranje. Ne upotrebljavajte razređivače ni gruba sredstva za čišćenje.

Efikasno delovanje bez greški i dug životni vek bojlera omogućićete redovnim servisnim pregledima. Za prerđali kotao garancija važi samo ako ste redovno vršili propisane redovne preglede istrošenosti zaštitne anode. Period između pojedinačnih redovnih pregleda ne sme da bude duži od 36 meseci. Preglede mora da obavi ovlašćen serviser koji taj zahvat registruje na garantnom listu proizvoda. Kod pregleda proverava istrošenost protikorozivne zaštitne anode i po potrebi očistiće vodeni kamenac koji se, s obzirom na kvalitet, količinu i temperaturu potrošene vode, skuplja u bojlery. Servisna služba će vam na osnovu utvrđenog stanja preporučiti datum za narednu kontrolu.

**Molimo da eventualne kvarove ne popravljate sami nego da o njima obavestite najbližu servisnu službu.**

## TEHNIČKE KARAKTERISTIKE BOJLERA

Tip		TG 50 N	TG 80 N	TG 100 N
Određeni profil opterećenja		M	M	L
Razred energetske efikasnosti <sup>1)</sup>		D	D	D
Energetska efikasnost pri zagrevanju vode ( $\eta_{wh}$ ) <sup>1)</sup>	[%]	33,6	33,3	35,5
Godišnja potrošnja električne energije <sup>1)</sup>	[kWh]	1522	1530	2884
Dnevna potrošnja električne energije <sup>2)</sup>	[kWh]	7,26	7,38	13,57
Podešavanje temperature termostata		eco		
Vrednost "smart"		0	0	0
Zapremina	[l]	47,5	76,1	96,1
Količina mešane vode na 40 °C V40 <sup>2)</sup>	[l]	66,5	96,5	131,4
Nominalni pritisak	[MPa (bar)]	0,6 (6) / 0,9 (9) / 1,0 (10)		
Masa/napunjen vodom	[kg]	21/71	27/107	31/131
Antikorozivna zaštita kotla emajlirano / Mg anoda		• / •	• / •	• / •
Snaga električnog grejača	[W]	2000		
Napon napajanja	[V~]	230		
Klasa zaštite		I		
Stepen zaštite		IP23		
Vreme zagrevanja od 10 °C do 65 °C	[h]	1 <sup>38)</sup>	2 <sup>37)</sup>	3 <sup>16)</sup>

1) Uredba komisije EU 812/2013; EN 50440

2) EN 50440

ZADRŽAVAMO PRAVO NA PROMENE, KOJE NE UTIČU NA FUNKCIONALNOST APARATA.  
Uputstvo za upotrebu je na raspolaganju i na našoj internet strani <http://www.gorenje.com>.

# VËREJTJE

**⚠** Aparatin mund ta përdorin fëmijët e moshës tetëvjeçare dhe më të vjetër, si dhe personat me aftësi të zvogëluara fizike, ndjenjësore dhe mendore, apo me mungesë të përvojës, gjegjësisht të dijes, nëse ata janë nën mbikëqyrje, apo nëse janë të trajnuar rreth përdorimit të aparatit në mënyrë të sigurt dhe që i kuptojnë rreziqet e mundshme.

**⚠** Fëmijët nuk guxojnë të luajnë me aparat.

**⚠** Pastrimin dhe mirëmbajtjen e aparatit nuk mund ta bëjnë fëmijët pa mbikëqyrje.

**⚠** Montimi duhet të bëhet në pajtim me dispozitat ekzistuese si dhe me udhëzimet e prodhuesit. Atë duhet ta bëjë montuesi i aftësuar profesionalisht.

**⚠** Te sistemi i mbyllur i presionit i kyçjes, në gypin prurës të bojlerit të ujit duhet medoemos të montohet valvuli siguries me presion nominal 0,6 MPa (6 bar), 0,9 MPa (9 bar) apo 1,0 MPa (10 bar) (shih tabelën e shënimeve), që parandalon rritjen e presionit në kazan për më shumë se 0,1 MPa (1 bar) mbi atë nominal.

**⚠** Uji nga vrima zbrazëse e valvulit siguries mund të pikë, për atë arsye ajo duhet të jetë e hapur në presionin atmosferik.

**⚠** Derdhja e valvulit siguries duhet të vendoset në drejtim teposhtë dhe në hapësirë që nuk ngrihet.

**⚠** Për funksionimin e rregullt të valvulit siguries, periodikisht duhet të bëhen kontrollet, që të eliminohet guri i ujit dhe të vërtetohet se valvuli siguries nuk është i bllokuar.

**⚠** Ndërmjet bojlerit të ujit dhe valvulit siguries nuk guxohet të montohet valvul mbyllës, pasi që ashtu pamundësoni sigurimin e bojlerit nga presioni!

**⚠** Para lidhjes në rrjetin elektrik, bojleri domosdo duhet të mbushet fillimisht me ujë!

**⚠** Në rast të prishjes së termostatit punues bojleri është i mbrojtur me siguresën termike shtesë. Në rast të prishjes së termostatit, në pajtim me standardet e sigurisë, uji mund ta arrijë temperaturën edhe deri në 130°C. Gjatë bërjes së instalimeve të ujësjellësit duhet medoemos të merret parasysh se mund të vihet deri të tejngarkesave të përmendura të temperaturës.

**⚠** Nëse e çkyçni bojlerin nga rrjeti elektrik, duhet ta derdhni ujin për shkak të rrezikut të ngrirjes.

**⚠** Ju lutemi, që prishjet eventuale në bojler të mos i ndreqni vetë, por për ato lajmërojeni shërbimin më të afërt të autorizuar servisor.



Prodhimet tona janë të pajisura nga komponentët e parrezikshme për mjedisin dhe për shëndetin, si dhe të punuara ashtu, që në fazën e tyre të fundit jetësore t'i demontojmë dhe t'i riciklojmë sa më thjesht. Me riciklimin e materialeve e zvogëlojmë sasinë e mbeturinave dhe e zvogëlojmë nevojën për prodhimin e materialeve themelore (për shembull metalit), që kërkon energji të madhe dhe shkakton emetim të materieve të dëmshme. Kështu, me proceset e riciklimit e zvogëlojmë harxhimin e burimeve natyrore, pasi që mbeturinat nga plastika dhe metali i

**kthejmë përsëri në procese të ndryshme prodhuese.**

**Për më shumë informata mbi sistemin e hedhjes së mbeturinave vizitoni qendrën tuaj për hedhjen e mbeturinave, apo tregtarin, tek i cili është blerë produkti.**

**I nderuar blerës, ju falënderojmë për blerjen e prodhimit tonë.**

**JU LUTEMI, QË PARA INSTALIMIT DHE PËRDORIMIT TË PARË TË BOJLERIT, T'I LEXONI ME VËMENDJE UDHËZIMET.**

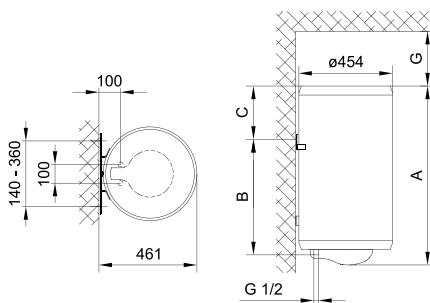
Bojleri është i prodhuar në pajtim me standardet në fuqi dhe është i sprovuar zyrtarisht, ndërsa për të, janë të lëshuar certifikata e sigurisë dhe certifikata mbi kompatibilitetin elektromagnetik. Karakteristikat e tij themelore teknike janë të shënuara në tabelën e shënimeve, të ngjitur ndërmjet gypave hyrës. Bojlerin mund ta lidhë në rrjetin elektrik dhe të ujësjellësit vetëm profesionisti i aftësuar. Ndërhyrjet në brendësinë e tij për shkak të përmirësimit, evitimit të gurit të ujit dhe kontrollit, ose ndërrimit të anodës mbrojtëse kundër korrozionit mund të bëjë vetëm shërbimi i autorizuar servisor.

## MONTIMI

Bojlerin montojeni sa më afër vendeve shpenzuese. Nëse e instaloni bojlerin në hapësirë ku gjendet vaska apo dushi, medoemos duhet t'i respektoni kërkesat e standardit IEC 60364-7-701 (VDE 0100, Teil 701). E përforconi në mur me vidha muri me diametër nominal minimalisht 8mm. Murin me bartje të dobët në të cilin keni ndërmend të varni bojlerin, duhet ta forconi. Bojlerin mund të përforconi në mur vetëm vertikalisht. Për shkak të kontrollit më të lehtë dhe këmbimit të anodës së magneziumit, rekomandojmë, që ndërmjet të ngrohësit të ujit dhe tavanit të mbetet hapësirë e mjaftueshme (shiqo masën G në skicat e masave aderuese). Në të kundërtën, tek ndërhyrja servitore e cekur do të nevojitet të demontohet ngrohësi i ujit nga muria.

	A	B	C	G
TG 50 N	561	405	145	130
TG 80 N	766	605	150	180
TG 100 N	926	755	160	260

Dimensionet e kyçjes dhe montimit të bojlerit [mm]



# LIDHJA NË RRJETIN E UJËSJELLËSIT

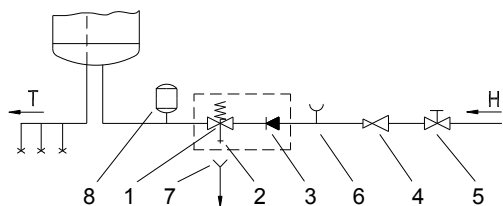
Hyrja dhe dalja e ujit janë të shënuar me ngjyra në gypa.. Hyrja e ujit të ftohtë ashtë e shënuar me ngjyrë të kaltër, kurse dalja e ujit të ngrohtë me ngjyrë të kuqe.

Bojlerin mund të lidhni në rrjetin e ujësjellësit në dy mënyra. Sistemi i mbyllur nën presion i lidhjes mundëson furnizim me ujë nga më shumë vende, ndërsa sistemi i hapur, jo nën presion, mundëson furnizim vetëm nga një vend. Sipas sistemit të zgjedhur të lidhjes, duhet t'i instaloni edhe bateritë përkatëse të rubinetave të ujit. Te sistemi i hapur, nën presion, para bojlerit duhet të montohet ventili jo-kthyes (ireverzibil), i cili parandalon derdhjen e ujit nga kazani, nëse, në rrjetin ujësjellës ndalohet ose mungon uji. Te ky sistem i lidhjes, duhet ta përdorni baterinë përzierëse rrjedhëse të rubinetës. Për shkak të ngrohjes së ujit, vjen deri te rritja e vëllimit të ujit në bojler, gjë që shkakton pikjen e ujit nga bateria përzierëse. Me shtrëngimin e tepër të dorëzës në bateri, nuk do ta ndërpritni pikjen e ujit, por vetëm mund ta prishni baterinë.

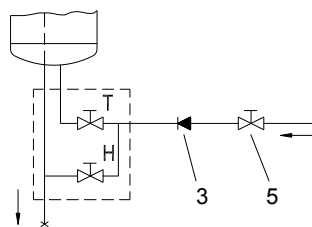
Te sistemi i mbyllur i lidhjes, në vendet furnizuese duhet të përdorni bateri përzierëse të presionit. Në gypin ardhës, për shkak të sigurisë së funksionimit, duhet montuar ventili siguruës ose grupin siguruës, i cili ndërpret rritjen e shtypjes në kazan për më tepër se 0,1 MPa (1 bar), mbi atë nominale. Vrima e daljes në ventilin siguruës medoemos duhet të ketë dalje në presionin atmosferik. Te nxehja e ujit në bojler, shtypja e ujit rritet deri te kufiri që është i rregulluar në ventilin siguruës. Pasi që kthimi i ujit në rrjetin e ujësjellësit është i penguar, mund të vijë deri te pikja e ujit nga vrima dalëse e ventilit siguruës. Ujin që pikon, mund të drejtoni në derdhje nëpërmjet të mbaresës hinkë, të cilën e vendosni nën ventilin siguruës. Gypi i daljes së ujit, që ashtë i vendosur nën ventilin siguruës, duhet të jetë i montuar në vertikalisht teposhtë dhe në ambient që nuk ngrinë.

Në rast se, instalimi i realizuar nuk mundëson ta drejtojmë ujët që pikon drejt kanalizimit, pikjen mund ta evitoni duke montuar një enë ekspansive me vëllim 3 ë në gypin hyrës të bojlerit .

Për funksionimin e rregullt të ventilit siguruës ju vetë duhet të bëni kontrole periodike që të largohet guri i ujit dhe të vërtetohet se ventili i sigurisë nuk është i bllokuar. Gjatë kontrollit duhet, (varësisht nga tipi i ventilit) me lëvizjen e dorëzës ose të sjelljen së ventilit të çelni daljen nga ventili siguruës. Në atë[ rast, nëpër vrimën dalëse të ventilit të rrjedh uji, kjomë është shenjë, se ventili është në rregull.



Sistemi i mbyllur (me presion)



Sistemi i hapur (pa presion)

Legjenda:

1 - Ventili sigurues

2 - Ventili provues

3 - Ventili jo-kthyes (ireverzibil)

4 - Ventili reduktues i shtypjes

5 - Ventili mbyllës

6 - Shtojca provuese

7 - Hinka me kyçësin në derdhje

8 - Ena e ekspansionit

H - Uji i ftohtë

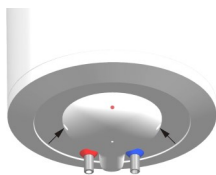
T - Uji i ngrohtë

**Ndërmjet bojlerit dhe ventilit sigurues nuk guxoni të montoni ventil mbyllës, sepse, kështu e pamundësoni funksionimin e ventilit sigurues.**

Ngrohësin mund ta kyçni në rrjetin shtëpiak të ujës-jellësit pa valvulë reduktuese nëse është shtypja në rrjet më e ulët se shtypja nominale. Nëse shtypja në rrjet e tejkalon shtypjen nominale, medoemos duhet instaluar ventilin reduktues.

**Para lidhjes në rrjetin elektrik, bojleri domosdo duhet të mbushet fillimisht me ujë.** Te mbushja e parë, çelëni dorëzën për ujë të ngrohtë në baterinë përzierëse. Bojleri është i mbushur, kur uji arrin nëpër gypin dalës të baterisë përzierëse.

## LIDHJA NË RRJETIN ELEKTRIK



Para kyçjes në rrjetin elektrik, në ngrohës duhet të instaloni kabllon kyçëse me prerje minimale së paku  $1,5 \text{ mm}^2$  (H05VV-F 3G  $1,5 \text{ mm}^2$ ). Që të mund ta bëni këtë, nga bojleri duhet të largohet kapaku mbrojtës.

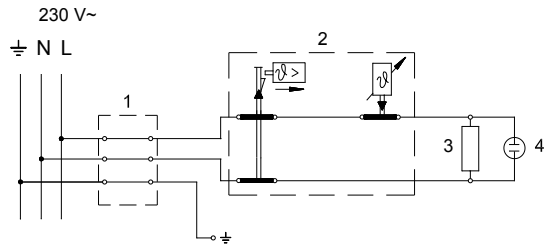
Lidhja e bojlerit në rrjetin elektrik duhet të bëhet në përputhje me standardet për instalimet elektrike. Ndërmjet ngrohësit të ujit dhe instalimit shtëpiak, nevojitet të instalohet pajisja për

ndarjen e të gjitha poleve nga rrjeti elektrik në pajtim me dispozitat nacionale të instalimeve.

Legjenda:

- 1 - Pjesa lidhëse
- 2 - Termostati dhe siguresa dypolëshe termike
- 3 - Rezistuesi (ngrohësi)
- 4 - Llamba kontrolluese

L - Përçuesi fazor  
 N - Përçuesi neutral  
 ≡ - Përçuesi mbrojtës



Skema e lidhjes elektrike

**VËRREJTJE: Para çdo ndërhyrjeje në brendësi të bojlerit, ç'kyçeni atë medoemos nga rrjeti elektrik!**

## PËRDORIMI DHE MIRËMBAJTJA

Pas kyçjes në rrjetin e ujit dhe të rrymës elektrike, ngrohësi i ujit (bojleri) është i përgatitur për përdorim. Temperaturën e ujit në aparat automatikisht e rregullon termostati, i cili është i rregulluar fabrikisht. Rregullimin mund t'a ndryshoni me rrotullimin e vidhës rregulluese në termostat, në brendësinë e bojlerit. Zona rregulluese arrin prej 10 e deri në 65 °C +5 °C/-0 °C. Ndryshimin e rregullimit fabrikor nuk e preferojmë, sepse, ai ju mundëson shpenzim ekonomik të energjisë elektrike dhe veçimin më të vogël të gurit të ujit. Funkzionimin e nxehësit elektrik e tregon dritëza kontrolluese. Ngrrohësi i ujit përban në shtëpizë termometër bimetal i cili mënjanohet në drejtim të akrepit të orës kah e djathta, kur në ngrohës gjendet uji i ngrohtë. Termometri tregon vetëm përafërsisht temperaturën e ujit, ai nuk është instrument matës. Nëqoftëse nuk keni ndërmend që bojlerin të përdorni gjatë kohë, shkyçnja nga rrjeta elektrike. Kur egziston rreziku i ngrirjes së ujit në bojler, ate duhet shprazur. Uji nga ngrohësi zbrazet nëpërmjet të gypit furnizues të ngrohësit. Për këte qëllim, tek instalimi rekomandohet, që ndërmjet të ventililit sigures dhe gypit furnizues të ngrohësit të vendohet një fitting i posaçëm (T-copë) ose ventil shkarkues. Ngrrohësin mund të zbrazi edhe drejtpërdrejt nëpërmjet të ventililit sigures me lëvizjen e dorëzës, resp. kapakut rrotullues të ventililit, në pozicion siç tek kontrollimi i funksionimit. Paraprakisht të zbrazjes, ngrohësin nevojitet të shkyçim nga rrjeta elektrike dhe pastaj të çelet dorëza për ujin e ngrohtë në rubinetë (baterinë përzie) të ujit. Pas zbrazjes së ujit nëpër gypin furnizues, në ngrohës mbetet sasi e vogël e ujit, i cili rrjedh tek evitimi i fllanxhës ngrohëse nëpërmjet të hapësirës së fllanxhës ngrohëse.

Pjesën e jashtme të bojlerit pastrojeni me tretjen e butë të detergjentit për larje. Mos përdorni lëndë pastruese të vrazhda.

Me kontrollet e rregullta servimore, do të mundësoni punimin e papengueshëm dhe jetën e gjatë të punimit të bojlerit. Garancia për ndryshkjen e kazanit vlen vetëm nëse i keni bërë rregullisht kontrollet të harxhimit të anodës mbrojtëse. Koha ndërmjet kontrolleve të posaçme dhe të rregullta, nuk guxon të jetë më e gjatë se 36 muaj. Është e nevojshme, që kontrollet t'i bëjnë serviseri i autorizuar, i cili evidenton kontrollin në fletëgarancinë e prodhimit. Gjatë kontrollit, ai kontrollon harxhimin e

anodës mbrojtëse kundër korrozionit, sipas nevojës, pastron gurin, i cili grumbullohet, varësisht nga kualiteti, sasia dhe temperatura e ujit të harxhuar, në brendësi të bojlerit. Pas kontrollit të bojlerit, shërbimi servisor, në bazë të gjendjes së përcaktuar do të ju preferojë edhe datën e kontrollit vijuese.

**Ju lutemi, që prishjet eventuale në bojler të mos i ndreqni vetë, por për ato lajmërojeni shërbimin më të afërt të autorizuar servisor.**

## CILËSITË TEKNIKE TË APARATIT

Tipi		TG 50 N	TG 80 N	TG 100N
Profili i caktuar i ngarkesës		M	M	L
Klasa e efikasitetit energjetik <sup>1)</sup>		D	D	D
Efikasiteti energjetik gjatë ngrohjes së ujit ( $\eta_{wh}$ ) <sup>1)</sup>	[%]	33,6	33,3	35,5
Harxhimi vjetor i energjisë elektrike <sup>1)</sup>	[kWh]	1522	1530	2884
Harxhimi ditor i energjisë elektrike <sup>2)</sup>	[kWh]	7,26	7,38	13,57
Rregullimi i temperaturës së termostatit		eco		
Vlera "smart"		0	0	0
Vëllimi	[l]	47,5	76,1	96,1
Sasia e ujit të përzier te 40 °C V40 <sup>2)</sup>	[l]	66,5	96,5	131,4
Tensioni nominal	[MPa (bar)]	0,6 (6) / 0,9 (9) / 1,0 (10)		
Masa / i mbushur me ujë	[kg]	21/71	27/107	31/131
Mbrojtja kundër korrozionit të kazanit emaluar / anoda Mg		• / •	• / •	• / •
Fuqia kyçëse	[W]	2000		
Tensioni	[V~]	230		
Klasa e mbrojtjes		I		
Shkalla e mbrojtjes nga lagështia		IP23		
Koha e ngrohjes prej 10 °C deri 65 °C	[h]	1 <sup>38</sup>	2 <sup>37</sup>	3 <sup>16</sup>

1) Urdhri i komisionit EU 812/2013; EN 50440

2) EN 50440

E RUAJMË TË DREJTËN E NDRYSHIMEVE, QË NUK NDIKOJNË NË FUNKSIONALITETIT E APARATIT.

Udhëzimet për përdorim janë në dispozicion edhe në ueb faqet tona <http://www.gorenje.com>.

# ПРЕДУПРЕДУВАЊА

- ⚠ Апаратот можат да го употребуваат деца на возраст од 8 години и постари и лица со намалени физички, психички или ментални способности или со недостаток на искуства, односно знаење, доколку се под надзор или се поучени за употреба на апаратот на безбеден начин и ги разбираат можните опасности.
- ⚠ Децата не смеат да си играат со апаратот.
- ⚠ Чистење и одржување на апаратот не смеат да го вршат деца без надзор.
- ⚠ Вградувањето мора да биде изведено во согласност со важечките закони и според упатствата на производителот. Мора да биде изведено од стручно оспособен monter.
- ⚠ Во случај на затворен систем под притисок, на доводната цевка за вода на греалката за вода (бојлерот) при приклучувањето задолжително треба да се вгради сигурносен вентил со номинален притисок од 0,6 МПа (6 бари), 0,9 МПа (9 бари) или 1,0 МПа (10 бари) (видете го запишаното на таблицата за идентификација), кој оневозможува зголемување на притисокот во котелот за повеќе од 0,1 МПа (1 бар) над номиналниот.
- ⚠ Од одводниот отвор на безбедносниот вентил може да капи вода. Заради тоа, одводниот отвор мора да биде отворен на атмосферски притисок.
- ⚠ Испустот на безбедносниот вентил мора да биде насочен во насока надолу и на простор каде што нема да замрзнува.
- ⚠ За правилно работење на сигурносниот вентил, треба периодично да се врши контрола, да се отстрани бигорот и да се провери да не е блокиран сигурносниот вентил.
- ⚠ Помеѓу греалката за вода (бојлерот) и сигурносниот вентил не е дозволено да се вградува вентил за затворање, затоа што со тоа се оневозможува притисната безбедност на греалката за вода (бојлерот)!
- ⚠ Пред приклучувањето на електрична мрежа греалката треба најпрвин да ја наполните со вода!
- ⚠ Греалката за вода е заштитена во случај на откажување на работниот термостат со додатна топлотна заштита. Во случај на откажување на термостатот, во согласност со безбедносните стандарди, водата во греалката за вода (бојлерот) може да достигне температура до 130°C. При изведувањето на водоводните инсталации, задолжително треба да се земе предвид дека е можно да дојде до наведените температурни преоптоварувања.
- ⚠ Ако сакате греалката за вода (бојлерот) да ја исклучите од електричната мрежа, мора да ја испуштите водата од греалката за вода поради опасност од замрзнување.
- ⚠ Ве молиме да не ги поправате сами евентуалните оштетувања на греалката, туку за тоа да го известите најблискиот овластен сервис.





Нашите производи се опремени со компоненти кои што не се штетни за животната средина и здравјето и се изработени со можност што поедноставно да се расклопат и рециклираат во последната фаза од нивниот работен циклус.

Со рециклирањето на материјалите ја намалуваме количината на отпад и ја намалуваме потребата од производство на основни материјали (на пример метали), што бара огромна енергија и предизвикува испуштање штетни материји. Со постапките на рециклажа ја намалуваме потрошувачката на природни ресурси, бидејќи на тој начин можеме повторно да ги вратиме отпадните делови од пластика и метали во различни производни процеси.

За повеќе информации во врска со системот за фрлање отпадоци посетете го својот центар за исфрлање на отпадоците или трговецот каде што бил купен производот.

**Почитуван купувач, ви благодариме за довербата што ни ја исказувате со купувањето на нашиот производ!**

**ВЕ МОЛИМЕ, ПРЕД ВГРАДУВАЊЕТО И ПРВАТА УПОТРЕБА НА ГРЕАЛКАТА ЗА ВОДА, ВНИМАТЕЛНО ПРОЧИТАЈТЕ ГИ НАШИТЕ УПАТСТВА.**

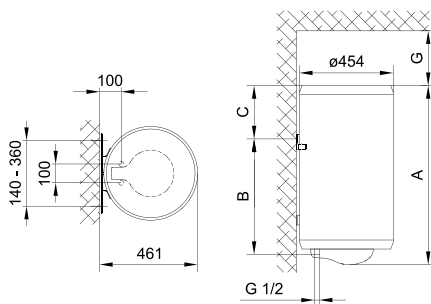
Греалката е изработена согласно со важечките стандарди и уредно испробана, исто така за неа се издадени сертификат за безбедност и сертификат за електромагнетна компатибилност. Нејзините основни технички карактеристики се наведени на табличката, што е залепена помеѓу приклучните цевки на апаратот. Приклучувањето на бојлерот на електричната или водоводната мрежа може да го изврши само оспособено стручно лице. Интервенирањето во неговата внатрешност поради поправка, отстранување на бигор или поради проверка или заменување на противкорозијска заштитна анода, може да ги врши само овластена сервисна служба.

## ВГРАДУВАЊЕ

Греалката вградете ја што поблиску до изливното место. Доколку греалката ја вградите во просторот кадешто се наоѓа кадата за бањање или туширање, треба задолжително да се почитуваат барањата на стандардот IEC 60364-7-701 (VDE 0100, Teil 701). Греалката прицврстете ја на сидот со две завртки за сидови, со номинален пречник од најмалку 8 мм. Сидовите и таваните со мала носилност треба на местото каде што ќе ја прикачите греалката соодветно да ги зајакнете. Греалките прицврстувајте ги на сидот само вертикално. Поради полесната контрола и менувањето на магнетиум анодата ви препорачуваме помеѓу врвот на греачот и таванот да оставите доволно слободно место (гледај ја измерата G на шемата на приклучни измери). Во спротивен случај ќе треба при спомнатиот сервисен зафат греачот да се демантира од таванот

	A	B	C	G
TG 50 N	561	405	145	130
TG 80 N	766	605	150	180
TG 100 N	926	755	160	260

Прикључни и монтажни  
димензии на греалката [мм]



## ПРИКЛУЧУВАЊЕ НА ВОДОВОДНА МРЕЖА

Доведувањето и одведувањето на водата се означени со боја. Доведувањето на ладната вода е означено со сина боја, а одведувањето на топлата вода со црвена боја.

Бојлерот можете да го приклучите на водоводната мрежа на два начина. Затворениот систем на приклучување (под притисок) ви овозможува одземање на вода на повеќе места. Отворениот систем на приклучување (проточен) ви дозволува само едно одземно место. Со оглед на одберениот систем на приклучување треба да вградите соодветна батерија за мешање.

Отворениот (проточен) систем на приклучување бара вградување на неповратен вентил кој го спречува истекувањето на водата од котелот, во случај на редуција на вода. Поради зголемувањето на водата при греењето се зголемува волуменот, што предизвикува појава на капкање вода на одливната цевка на мешалната батерија. Силното затегнување на вентилот на мешалната батерија нема да ја спречи појавата на капкање вода, но може да предизвика расипување на мешалната батерија.

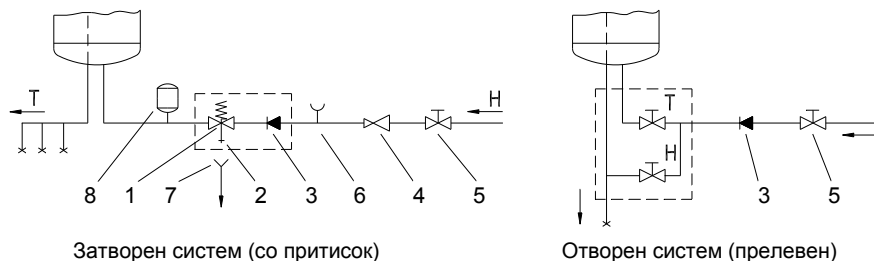
Затворениот систем на приклучување на одземните места бара вградување на мешална батерија за работа под притисок. На доводната цевка поради безбедност на работењето задолжително треба да се вгради сигурносен вентил или сигурносна група, која спречува зголемување на притисокот во котелот за повеќе од 0,1 МРа (1 бар) над номиналниот. Одводниот отвор на безбедносниот вентил треба задолжително да има излез за атмосферскиот притисок.

Поради зголемувањето на водата при греењето, во котелот се зголемува притисокот до границата што ја дозволува сигурносниот вентил. Бидејќи враќањето на водата назад во водоводната мрежа е спречено, може да дојде до појава на капкање вода од одводниот отвор на сигурносниот вентил. Капките вода можете да ги спроведете во одводот со помош на посебна инка која ќе ја наместите под сигурносниот вентил.

Одводната цевка наместена под испустот на сигурносниот вентил мора да биде наместена во насока право надолу и во местото каде што не замрзува.

Доколку веќе поставената инсталација не овозможува водата што капи од повратниот безбедносен вентил да ја спроведете во одводот, капкањето можете да го избегнете ако кај доводната цевка на греалката вградите експанзиски сад со волумен од 3 л.

За правилно работење на безбедносниот вентил треба самите периодично да вршите контроли, да го чистите бигорот и да се проверува евентуелната блокада на безбедносниот вентил. При проверката треба со поместување на рачката или со одвртување на бурмата на вентилот (зависно од видот на вентилот) да го отворите истекувањето од повратниот безбедносен вентил. При тоа, низ млазницата на вентилот за истекување треба да протече вода, што е знак дека вентилот е беспрекорен.



Легенда:

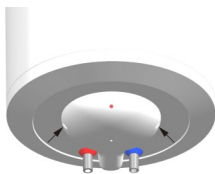
- |                                    |                                    |
|------------------------------------|------------------------------------|
| 1 - Сигурносен вентил              | 6 - Пробна наставка                |
| 2 - Пробен вентил                  | 7 - Одливник со приклучок на одвод |
| 3 - Неповратен вентил              | 8 - Експанзиски сад                |
| 4 - Редукционен вентил за притисок | H - Ладна вода                     |
| 5 - Затворен вентил                | T - Топла вода                     |

**Помеѓу греалката и повратниот сигурносен вентил не смеете да вградите затворен вентил бидејќи со тоа ќе го оневозможите работењето на повратниот сигурносен вентил.**

Греалката можете да ја приклучите на куќната водоводна мрежа без редуциски вентил доколку притисокот во мрежата е понизок од номинаниот притисок. Доколку притисокот во мрежата го надминува номиналниот притисок, треба задолжително да вградите редуциски вентил.

**Пред приклучувањето на електрична мрежа греалката треба најпрвин да ја наполните со вода.** Кај првото полнење отворете ја рачката за топла вода на батеријата за мешање. Греалката е наполнета кога водата протечува низ изливната цевка на мешалната батерија.

# ПРИКЛУЧУВАЊЕ НА ЕЛЕКТРИЧНА МРЕЖА



Пред приклучувањето во електричната мрежа треба во греачот да се вгради врвка за приклучување, со минимален пречник од  $1,5 \text{ mm}^2$  (H05VV-F 3G  $1,5 \text{ mm}^2$ ). Затоа треба да го извадите пластичниот заштитен капак. Приклучувањето на греалката на електричната мрежа треба да се врши согласно со стандардите за електричната мрежа. Помеѓу греачот на водата и трајната

инсталација треба да биде вградена справа за одделување на сите полови од електричната мрежа согласно со националните прописи за инсталација.

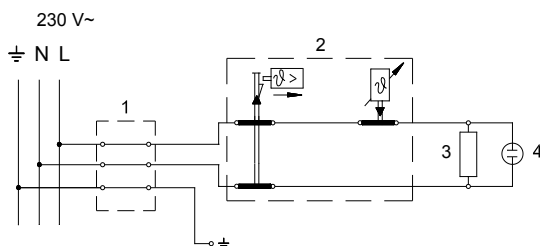
Легенда:

- 1 - Приклучна спојка
- 2 - Термостат и двополен топлотен осигурувач
- 3 - Грејач
- 4 - Контролна ламбичка

L - Фазен спроводник

N - Неутрален спроводник

⊕ - Заштитен спроводник



Шема на електрично поврзување

**ПРЕДУПРЕДУВАЊЕ:** пред секое навлегување во нејзината внатрешност треба греалката задолжително да ја исклучите од електричната мрежа.

## УПОТРЕБА И ОДРЖУВАЊЕ

После приклучувањето на водоводната и електричната мрежа, греалката е подготвена за употреба. Температурата на водата во апаратот ја одредува фабрички регулираниот термостат. Вртејќи ја завртката на термостатот во внатрешноста на греалката можете да ја променувате регулацијата, која овозможува температура на водата измеѓу  $10$  и  $65 \text{ }^\circ\text{C} +5 \text{ }^\circ\text{C}/-0 \text{ }^\circ\text{C}$ . Не ви препорачуваме менувате фабрички одредената регулација. Таквата регулација е најштедлива бидејќи овозможува најекономична употреба на електрична енергија и најмало создавање на варовник.

Делувањето на електричната греалка го покажува контролната ламбичка. На обемот греачот има биметален термометар што се поместува во насока на движењето на стрелката на часовникот (во десно), доколку во греачот е присутна топлата вода. Термометарот само приближно ја покажува температурата на водата, тој не е мерен инструмент.

Ако греалката неја употребувате подолго време, исклучетеја од електричната мрежа. Ако постои опасност од замрзнување тогаш морате да ја испразните неговата содржина. Водата од греачот се празни низ доводната цевката на

---

греачот. Во та намена препорачливо е при вградувањето помеѓу безбедносниот вентил и доводната цевка на греачот да се намести посебен фитинг (Т-парче) или вентил за пуштање. Греачот можете да го испразните и непосредно низ безбедносниот вентил со поместување на рачката, односно вртливата мала капа на вентилот во положба како при проверувањето на работењето. Пред испразнувањето треба греачот да се исклучи од електричната мрежа и потоа да се отвори рачката за топла вода на приклучената батерија за мешање. После празнењето на водата низ доводната цевка во греачот останува помало количество на вода што истечува при потргнувањето на прирабницата за греење низ отворот на прирабницата за греење.

Надворешноста на бојлерот чистете ја со неагресивен раствор на прашок за перење. Не употребувајте разредувачи или груби средства за чистење. Со редовни сервисни прегледи можете на бојлерот да му осигурате долг животен век и усовершено работење. Гаранцијата против рѓосување на котелот е важечка само доколку сте ги вршеле пропишаните редовни прегледи за потрошеноста на заштитните аноди. Периодот помеѓу два редовни прегледи не смее да биде подолг од 36 месеци. Прегледите треба да ги изведе овластен сервисер, којшто секој преглед ќе ви го забележи во гаранцискиот картон на производот. Потребно е да се провери истрошеноста на противкорозивната заштитна анода и по потреба да се очисти бигорот кој се собира во внатрешноста на бојлерот.

Истовремено сервисната служба, според согледаната состојба, ќе ви го препорача датумот за следната контрола.

**Ве молиме, евентуелните оштети на греалката да не ги поправате сами туку за тоа да го известите најблискиот овластен сервис.**

# ТЕХНИЧКИ КАРАКТЕРИСТИКИ НА ГРЕАЛКАТА

Тип		TG 50 N	TG 80 N	TG 100N
Определен профил на оптоварување		M	M	L
Класа на енергетска ефикасност		D	D	D
Енергетска ефикасност при загревање на вода ( $\eta_{wh}$ ) <sup>1)</sup>	[%]	33,6	33,3	35,5
Годишна употреба на електрична енергија <sup>1)</sup>	[kWh]	1522	1530	2884
Дневна употреба на електрична енергија <sup>2)</sup>	[kWh]	7,26	7,38	13,57
Поставена температура на термостатот		eco		
Вредност "smart"		0	0	0
Зафатнина	[l]	47,5	76,1	96,1
Кол. на мешана вода при 40 °C V40 <sup>2)</sup>	[l]	66,5	96,5	131,4
Номинален притисок	[MPa (bar)]	0,6 (6) / 0,9 (9) / 1,0 (10)		
Тежина/наполнето вода	[kg]	21/71	27/107	31/131
Противкорозиона заштита на котелот емајлирано / Mg анода		• / •	• / •	• / •
Јакост на електричната греалка	[W]	2000		
Приклучен напон	[V~]	230		
Заштитна класа		I		
Степен на заштита		IP23		
Време за загревање од 10°C до 65°C	[h]	1 <sup>38</sup>	2 <sup>37</sup>	3 <sup>16</sup>

1) Уредба на комисија EU 812/2013; EN 50440

2) EN 50440

ГО ЗАДРЖУВАМЕ ПРАВОТО ЗА ИЗМЕНИ КОИ НЕ ВЛИЈААТ НА ФУНКЦИОНАЛНОСТА НА АПАРАТОТ.

Упатствата за употреба може да ги најдете и на нашата веб-локација:

<http://www.gorenje.com>.

---

---

