






**gorenje**



***TGR 30-120 SM***

---

	<b>Instructions for Use</b>	<b>3</b>
	<b>Upute za upotrebu</b>	<b>11</b>
	<b>Упатства за употреба</b>	<b>19</b>
	<b>Navodila za uporabo</b>	<b>28</b>
	<b>Uputstva za upotrebu</b>	<b>36</b>

## WARNINGS

- ⚠ The appliance may be used by children older than 8 years old, elderly persons and persons with physical, sensory or mental disabilities or lacking experience and knowledge, if they are under supervision or taught about safe use of the appliance and if they are aware of the potential dangers.
- ⚠ Children should not play with the appliance.
- ⚠ Children should not clean or perform maintenance on the appliance without supervision.
- ⚠ Installation should be carried out in accordance with the valid regulations and according to the instructions of the manufacturer and by qualified staff.
- ⚠ In a closed, pressurised system of installation, it is obligatory to install a safety valve on the inlet pipe with a rated pressure of 0.6 MPa (6 bar), 0.9 MPa (9 bar) or 1.0 MPa (10 bar) (see the label), which prevents the elevation of pressure in the boiler by more than 0.1 MPa (1 bar) above the rated pressure.
- ⚠ Water may drip from the outlet opening of the safety valve, so the outlet opening should be set to atmospheric pressure.
- ⚠ The outlet of the safety valve should be installed facing downwards and in a non-freezing area.
- ⚠ To ensure proper functioning of the safety valve, the user should perform regular controls to remove limescale and make sure the safety valve is not blocked.
- ⚠ Do not install a stop valve between the water heater and the safety valve, because it will impair the pressure protection of the heater!
- ⚠ Before connecting it to the power supply, the water heater must be filled with water!
- ⚠ The heater is equipped with an additional thermal cut-off for protection in case of failure of the operating thermostat. In this case, however, the temperature of the water in the heater can reach up to 130 °C according to the safety standards. During the water supply installation, the possibility of temperature overloads should be taken into account.
- ⚠ If the heater is to be disconnected from the power supply, please drain any water from the heater to prevent freezing.

---

**⚠ Please do not try to fix any defects of the water heater on your own. Call the nearest authorised service provider.**



Our products incorporate components that are both environmentally safe and harmless to health, so they can be disassembled as easily as possible and recycled once they reach their final life stage.

Recycling of materials reduces the quantity of waste and the need for production of raw materials (e.g. metals) which requires a substantial amount of energy and causes release of harmful substances. Recycling procedures reduce the consumption of natural resources, as the waste parts made of plastic and metal can be returned to various production processes.

For more information on waste disposal, please visit your waste collection centre or the store where the product was purchased.

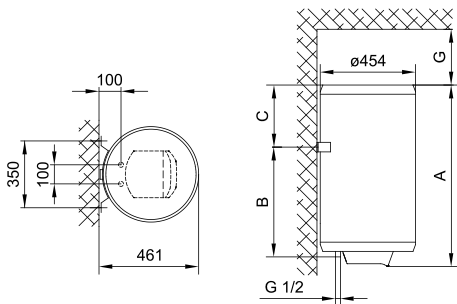
## **Dear buyer, thank you for purchasing our product. Prior to the installation and first use of the electric water heater, please read these instructions carefully.**

In accordance with the latest guidelines, we have developed for our more demanding customers the electric water heater TGR equipped with an intelligent electronic regulator allowing the setting of the temperature of water in the heater as well as smart "ECO<sup>S</sup>" mode of operation. The heater records your habits and after a while, it calculates the optimal operating mode that enables minimal use of electric energy necessary to meet your warm water needs.

This water heater has been manufactured in compliance with the relevant standards and tested by the relevant authorities as indicated by the Safety Certificate and the Electromagnetic Compatibility Certificate. The technical characteristics of the product are listed on the label affixed between the inlet and outlet pipes. The installation must be carried out by qualified staff. All repairs and maintenance work within the water heater, e.g. lime removal or inspection/replacement of the protective anticorrosion anode, must be carried out by an authorised maintenance service provider.

## **INSTALLATION**

The water heater shall be installed as close as possible to the outlets. When installing the water heater in a room with a bathtub or shower, take into account the requirements defined in IEC Standard 60364-7-701 (VDE 0100, Part 701). It has to be fitted to the wall using appropriate wall screws with a minimum diameter of 8 mm. A wall with a poor load-bearing capacity must be properly reinforced where the heater will be installed. The water heater may only be fixed upon the wall vertically. We recommend the distance between the water heater and the ceiling is large enough to allow simple replacement of the Mg anode (see dimension G in the Installation Drawing), in order to avoid unnecessary dismantling of the heater during the servicing intervention.



	A	B	C	G
TGR 30 SM	476	275	173	80
TGR 50 SM	578	365	185	130
TGR 80 SM	783	565	190	180
TGR 100 SM	943	715	200	260
TGR 120 SM	1098	865	205	260

Connection and installation dimensions of the water heater [mm]

## CONNECTION TO THE WATER SUPPLY

The water heater connections for the inlet and outlet of water are colour-coded. The inlet of cold water is marked with blue colour, while the hot water outlet is marked with red colour.

The water heater can be connected to the water supply in two ways. The closed-circuit pressure system enables several points of use, while the open-circuit gravity system enables a single point of use only. The mixer taps must also be installed in accordance with the selected installation mode.

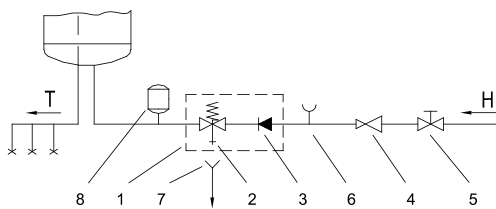
The open-circuit gravity system requires the installation of a non-return valve in order to prevent the water from draining out of the tank in the event of the water supply running dry or being shut down. This installation mode requires the use of a cross-flow mixer tap. As the heating of water expands its volume, this causes the tap to drip. The dripping cannot be stopped by tightening it further; on the contrary, the tightening can only damage the tap.

The closed-circuit pressure system requires the use of pressure mixer taps. For safety reasons the supply pipe must be fitted with a safety valve or alternatively, a valve of the safety class that prevents the pressure in the tank from exceeding the nominal pressure by more than 0.1 MPa (1 bar). The outlet opening on the relief valve must be equipped with an outlet for atmospheric pressure.

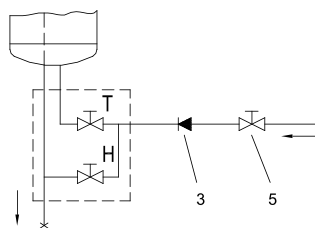
The heating of water in the heater causes the pressure in the tank to increase to the level set by the safety valve. As the water cannot return to the water supply system, this can result in dripping from the outlet of the safety valve. The drip can be piped to the drain by installing a catching unit just below the safety valve. The drain installed below the safety valve outlet must be piped down vertically and placed in an environment that is free from the onset of freezing conditions.

In case the existing plumbing does not enable you to pipe the dripping water from the safety valve into the drain, you can avoid the dripping by installing a 3-litre expansion tank on the inlet water pipe of the boiler.

In order to provide correct operation of the safety valve, periodical inspections of the relief valve must be carried out by the user to eliminate any limescale and check if the safety valve is blocked. To check the valve, open the outlet of the safety valve by turning the handle or unscrewing the nut of the valve (depending on the type of the valve). The valve is operating properly if the water comes out of the nozzle when the outlet is open.



Closed (pressure) system



Open (non-pressure) system

Legend:

1 - Safety valve

2 - Test valve

3 - Non-return valve

4 - Pressure reduction valve

5 - Closing valve

6 - Checking fitting

7 - Funnel with outlet connection

8 - Expansion tank

H - Cold water

T - Hot water

**Between the water heater and safety valve, no closing valve may be built in because it could impede the function of the safety valve.**

The heater can be connected to the domestic water supply network without a pressure-reducing valve if the pressure in the network is lower than the nominal pressure. If the pressure in the network exceeds the nominal pressure, a pressure-reducing valve must be installed.

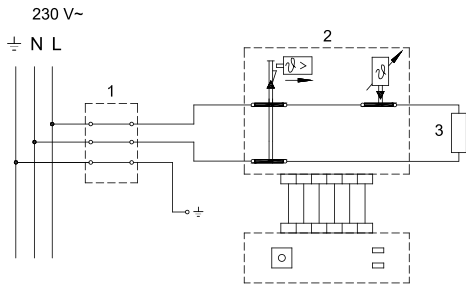
**Before connecting it to the power supply, the water heater must be filled with water.** When filling the heater for the first time, the tap for the hot water on the mixing tap must be opened. When the heater is filled with water, the water starts to run through the outlet pipe of the mixing tap.

## CONNECTING THE WATER HEATER TO THE POWER SUPPLY NETWORK

Before connecting to the power supply network, install a power supply cord in the water heater, with a min. diameter of  $1.5 \text{ mm}^2$  (H05VV-F 3G  $1.5 \text{ mm}^2$ ). To do this, the protective plate must be removed from the water heater.



Connecting the heater to the power supply network must take place in accordance with the standards for electric appliances. To comply with the national installation regulations, an all poles disconnect switch must be installed between the water heater and the power supply network. When the heater is connected to the power supply, both lights on the front panel will light up for 2 seconds.



Legend:

- 1 - Connection terminal
- 2 - Electronic regulator and bipolar thermal cut-out
- 3 - Electric heating element

- L - Live conductor
- N - Neutral conductor
- ⊥ - Earthing conductor

Electric installation

**CAUTION: Before any intervention into the interior of the water heater, disconnect it from the power supply network!**

## OPERATION AND MAINTENANCE

After connecting to the water and power supply, the heater is ready for use. The heater is equipped with an electronic regulator that enables the setting of the temperature of water, adjustment of the heater's operation to your habits ("ECO<sup>S</sup>" programme) and troubleshooting application.

### OPERATION

The water heater is operated by turning the regulation knob to the desired level.



### Switching on/off the heater

- To switch on the heater, turn the knob in the clockwise direction to reach the desired temperature level.
- To switch off the heater, turn the knob to the "0" position (if the heater is disconnected from the power supply, water must be drained from it in case of danger of freezing).

## Temperature setting

- The desired temperature level is set by turning the knob in the clockwise direction.

ECO<sup>S</sup> - Temperature depends on the recorded needs of the user.



- Protection against freezing, temperature around 10 °C.



- Water temperature around 35 °C.

ECO - Water temperature around 55 °C.



- Water temperature around 75 °C.

## The operation of the heater in the "ECO<sup>S</sup>" mode

This mode of operation is suitable if your hot water consumption habits are relatively consistent (example: taking a shower at approximately the same time of the day). Your habits are recorded and then taken into account when heating the water. The operation of the heater in the "ECO<sup>S</sup>" mode reduces the consumption of electric energy.

- The "ECO<sup>S</sup>" mode of operation can be switched on by twisting the control knob counter clockwise. The green and red light start simultaneously. The red light symbolises the functioning of the heater and the green light symbolises the "ECO<sup>S</sup>" mode.
- The "ECO<sup>S</sup>" function is based on a 7-day cycle. During the first week of operation, the water temperature in the heater is maintained at 75 °C and the programme records the consumption pattern for seven consecutive days. After that, the recorded pattern starts to be used automatically and the heater prepares the hot water based on the measurements from the previous week. At the same time, the heater continues to record the consumption. If the pattern differs from the previous week in terms of time or volume, the newly recorded pattern is used the following week.
- The water temperature in the "ECO<sup>S</sup>" mode is kept between 40 °C and 75 °C. When no consumption is anticipated (standby temperature), the water is maintained at 40 °C.
- If, during recording, there was a power failure or the heater was switched off, the recording is not valid.
- The "ECO<sup>S</sup>" mode can be turned off by twisting the control knob to any other position.

## Anti-legionella function

The function is factory set. After connecting to the power supply or after eliminating an error, the anti-legionella function is switched on after 3 days.

When the heater is switched on and the temperature of the water in the heater is above 62 °C continuously for 15 minutes, the countdown is finished. As soon as the temperature falls below 62 °C, a 30-day countdown begins again. If within 30 days the heater does not reach 62 °C, the anti-legionella function is switched on and the heater heats the water to the temperature of 62 °C for 15 minutes.

If the heater is not switched on or connected to the power supply and the 30-day period expires, the anti-legionella function does not switch on until the heater is turned on.

If the anti-legionella function is in operation and the user switches off the heater, the function is interrupted and a new 30-day countdown begins.



If the user lowers the set temperature during the operation of the anti-legionella functions, the function is interrupted and a new 30-day countdown begins.

**Error indication**

In case of an error or warning on the heater, red and green light start blinking to indicate an error according to the table below.

<b>STATUS</b>	<b>RED light</b>	<b>GREEN light</b>
<b><i>Normal operation</i></b>		
Heater switched off	/	/
Heater switched on, no error, heater not operating	/	/
Heater switched on, no error, heater operating	<b>GLOWING</b>	/
<b><i>Operation in ECO<sup>S</sup> mode</i></b>		
Heater switched on, no error, heater not operating	/	<b>GLOWING</b>
Heater switched on, no error, heater operating	<b>GLOWING</b>	<b>GLOWING</b>
<b><i>ERRORS (Call the service)</i></b>		
Heater switched on, temp. sensor error (sensor 1 or sensor 2 in short circuit or open circuit, temp. difference error)	<b>BLINKING</b>	<b>BLINKING</b>
Heater switched on, heater warning	<b>BLINKING</b>	<b>BLINKING</b>

When the water heater is not in use for a longer period of time and is switched off or disconnected from the power supply, it must be emptied in case of danger of freezing. Water from the heater is drained through the inlet pipe of the heater. For this purpose, a special fitting (T-fitting) must be mounted between the relief valve and the heater inlet pipe, or a discharge tap. The heater can be discharged directly through the relief valve, by rotating the handle or the rotating valve cap to the same position as for checking the operation. Before discharge, make sure the heater is disconnected from the power supply, and open the hot water on the connected mixer tap. After discharging through the inlet pipe, there is still some water left in the water heater. The remaining water will be discharged after removing the heating flange, through the heating flange opening.

The external parts of the water heater can be cleaned with a mild detergent solution. Do not use solvents and abrasives.

Regular preventive maintenance inspections ensure faultless performance and long life of your heater. The first of these inspections should be carried out by the authorised maintenance service provider about two years from installation in order to inspect the wear of the protective anticorrosion anode and remove the lime coating

and sediment as required. The lime coating and sediment on the walls of the tank and on the heating element is a result of quality, quantity and temperature of water flowing through the water heater. The maintenance service provider shall also issue a condition report and recommend the approximate date of the next inspection.

**Never try to repair any possible faults of the water heater by yourself, but inform about it the nearest authorised service workshop.**

## TECHNICAL PROPERTIES OF THE APPLIANCE

Type		TGR 30 SM	TGR 50 SM	TGR 80 SM	TGR 100 SM	TGR 120 SM
Declared load profile		S	M	M	L	L
Energy efficiency class <sup>1)</sup>		C	C	C	C	C
Water heating energy efficiency ( $\eta_{wh}$ ) <sup>1)</sup>	[%]	34,5	37,3	37,2	38,0	37,6
Annual electricity consumption <sup>1)</sup>	[kWh]	531	1378	1381	2691	2725
Daily electricity consumption <sup>2)</sup>	[kWh]	2,715	6,985	7,251	13,502	13,843
Thermostat temperature settings		"eco"	"eco"	"eco"	"eco"	"eco"
Value of "smart" <sup>3)</sup>		1	1	1	1	1
Weekly electricity consumption with smart control	[kWh]	14,801	26,658	30,211	55,225	55,725
Weekly electricity consumption without smart control	[kWh]	15,998	29,071	34,121	59,985	61,057
Volume	[l]	30,4	47,5	76,1	96,1	116,4
Quantity of mixed water at 40 °C V40 <sup>2)</sup>	[l]	-	67	116	134	168
Heating time from 10 °C to 65 °C	[h]	0:59	1:38	2:37	3:16	3:55
Rated pressure	[MPa (bar)]	0,6 (6)				
Weight / Filled with water	[kg]	20/50	24/74	30/110	34/134	38/158
Anti-corrosion of tank		enamelled & Mg Anode				
Power of electrical heater	[W]	2000				
Connection voltage	[V~]	230				
Protection class		I				
Degree of protection		IP24				

1) EU Regulation 812/2013; EN 50440

2) EN 50440

3) Information on water heating energy efficiency and annual electricity consumption relate to enabled smart control settings only.

WE RESERVE THE RIGHT TO MAKE CHANGES THAT DO NOT IMPAIR THE FUNCTIONALITY OF THE DEVICE.

The user manual can also be found at our website <http://www.gorenje.com> .

## UPOZORENJA

- ⚠ Uređaj mogu koristiti djeca starija od 8 godina i osobe sa smanjenim tjelesnim, osjetnim ili mentalnim sposobnostima, odnosno nedovoljnim iskustvom ili znanjem samo ako su pod nadzorom ili podučeni o uporabi uređaja na siguran način i ako razumiju potencijalne opasnosti.
- ⚠ Djeca se ne smiju igrati uređajem.
- ⚠ Čišćenja i održavanja uređaja ne smiju obavljati djeca bez nadzora.
- ⚠ Ugradnju treba obaviti sukladno važećim propisima i prema uputama proizvođača. Mora ju obaviti stručno osposobljen monter.
- ⚠ Za zatvoreni tlačni sustav priključenja, na dovodnu cijev grijalice vode obvezatno ugradite sigurnosni ventil s nazivnim tlakom 0,6 MPa (6 bara), 0,9 MPa (9 bara) ili 1,0 MPa (10 bara) (vidi pločicu s natpisom), koji sprječava povećanje tlaka u kotlu za više od 0,1 MPa (1 bar) iznad nazivnoga tlaka.
- ⚠ Voda može kapati iz odvodnog otvora sigurnosnoga ventila, stoga odvodni otvor mora biti otvoren na atmosferski tlak.
- ⚠ Ispust sigurnosnoga ventila mora biti postavljen u smjeru nadolje i na mjestu na kojem neće smrznuti.
- ⚠ Za pravilan rad sigurnosnoga ventila treba periodično obavljati kontrole radi uklanjanja vodenoga kamenca i provjeravati da sigurnosni ventil nije blokiran.
- ⚠ Između grijalice vode i sigurnosnoga ventila nije dozvoljeno ugrađivati zaporni ventil jer bi se time onemogućila tlačna zaštita grijalice!
- ⚠ Prije priključenja na električne instalacije obvezatno prvo napunite grijalicu vodom!
- ⚠ Grijalica je dodatnim termičkim osiguračem zaštićena u slučaju otkazivanja radnoga termostata. U slučaju otkazivanja termostata, sukladno sigurnosnim standardima, voda u grijalici može dostići temperaturu i do 130 °C. Prilikom postavljanja vodovodnih instalacija obvezatno valja uvažavati činjenicu da su moguća navedena preopterećenja temperature.
- ⚠ Ako budete isključivali grijalicu iz električne mreže, morate ispustiti vodu zbog opasnosti od smrzavanja.

**⚠ Molimo: eventualne kvarove na grijalici nemojte popravljati sami već obavijestite najbliži ovlašteni servis o tome.**



Naši su proizvodi opremljeni ekološki besprijekornim i zdravstveno ispravnim neškodljivim komponentama te su proizvedeni tako da se u svojoj posljednjoj fazi trajanja mogu što jednostavnije rastaviti i reciklirati.

Reciklažom materijala smanjuju se količine otpada i potreba za proizvodnjom osnovnih materijala (naprimjer kovine), što iziskuje puno energije i uzrokuje emisije štetnih tvari. Postupcima reciklaže smanjuje se potrošnja prirodnih izvora budući da se otpadni dijelovi od plastike i kovine ponovno vraćaju u različite proizvodne procese.

Za više informacija o sustavu odlaganja otpadaka posjetite lokalni centar za odlaganje otpadaka ili trgovca kod kojeg ste kupili proizvod.

## **Poštovani kupci! Zahvaljujemo na povjerenju koje ste nam ga iskazali kupnjom našega proizvoda. MOLIMO PRIJE MONTAŽE I PRVE UPORABE POMNO PROČITAJTE UPUTE ZA MONTAŽU, UPORABU I ODRŽAVANJE ELEKTRIČNE GRIJALICE VODE.**

Sukladno najnovijim smjernicama, mi smo za svoje zahtjevnije kupce razvili električnu grijalicu vode TGR koja je opremljena inteligentnim elektronskim regulatorom koji osim podešavanja temperature vode u grijalici nudi i "ECO<sup>S</sup>" pametni način rada. Naime, grijalica na osnovi snimanja vaših navika nakon određenoga razdoblja automatski izračuna optimalan način rada koji omogućuje minimalnu potrošnju električne energije potrebne za zadovoljavanje vaših potreba za toplom vodom.

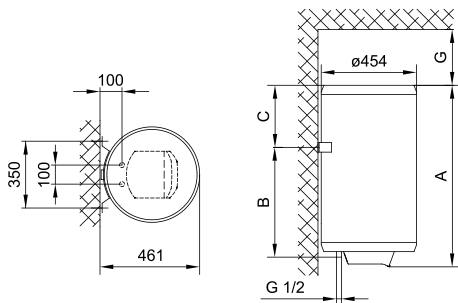
Grijalica je proizvedena sukladno važećim standardima i službeno je ispitana te su joj dodijeljeni sigurnosni certifikat i certifikat o elektromagnetskoj kompatibilnosti. Osnovna tehnička svojstva grijalice navedena su na natpisnoj tablici koja je nalijepljena između priključnih cijevi. Priključenje grijalice na vodovodnu i električnu mrežu može obaviti isključivo stručno osposobljena osoba.

Zahvate u njegovu unutrašnjost zbog popravka, uklanjanje vodenoga kamenca te provjere ili zamjene zaštitne anode protiv korozije obavlja isključivo ovlaštena servisna služba.

## **MONTAŽA**

Grijalicu montirajte što je moguće bliže potrošačkome mjestu. Ako uređaj za grijanje ugrađujete u prostor u kojem su kada za kupanje ili tuš, obavezno morate uzeti u obzir zahtjeve standarda IEC 60364-7-701 (VDE 0100, Teil 701). Na zid ju pričvrstite dvama vijcima za zid, nazivnoga promjera od najmanje 8 mm. Ako je nosivost zida koji je namijenjen montaži grijalice neodgovarajući, zid treba primjereno ojačati.

Grijalica se smije pričvrstiti na zid isključivo u uspravnome položaju. Zbog lakše kontrole i zamjene magnezijske anode vam preporučujemo da između vrha naprave za grijanje i stropa ostavite dovoljno prostora (pogledaj mjeru G na skici priključnih mjera). U suprotnom će slučaju pri navedenom servisnom zahvatu biti potrebno napravu za grijanje demontirati sa zida.



	A	B	C	G
TGR 30 SM	476	275	173	80
TGR 50 SM	578	365	185	130
TGR 80 SM	783	565	190	180
TGR 100 SM	943	715	200	260
TGR 120 SM	1098	865	205	260

Priključne i montažne mjere grijalice [mm]

## PRIKLJUČAK NA VODOVODNU MREŽU

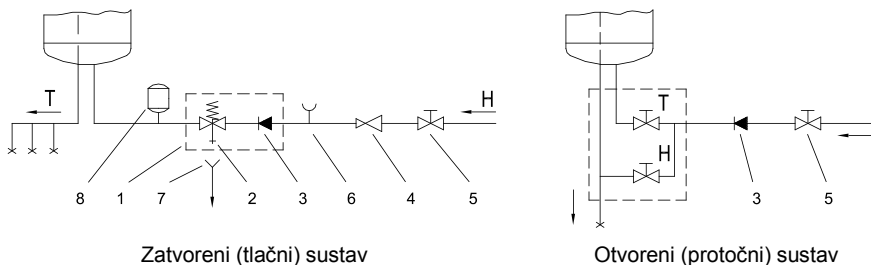
Dovod i odvod vode na cijevima grijalice označeni su u boji. Dovod hladne vode označen je plavom a odvod tople vode crvenom bojom.

Grijalicu možete priključiti na vodovodnu mrežu na dva načina. Zatvoreni, tlačni sustav priključenja omogućuje odljev vode na više odljevnih mjesta, a sustav bez tlaka dovoljan je samo za jedno odljevno mjesto. Ugradnja i odabir miješalice ovise o izboru sustava priključenja.

Kod otvorenoga sustava bez tlaka ispred grijalice treba ugraditi nepovratni ventil koji sprječava istjecanje vode iz kotla u slučaju prekida dovoda vode u mreži. Za taj sustav priključenja morate koristiti protočnu miješalicu. Zapremnina vode u grijalici povećava se uslijed zagrijavanja, što prouzrokuje kapanje vode iz cijevi miješalice. Kapanje vode ne možete spriječiti jakim zatezanjem ručke na miješalici; tako samo možete uništiti miješalicu.

Kod zatvorenog tlačnoga sustava priključenja na odljevnim mjestima morate koristiti tlačne miješalice. Radi sigurnosti na dovodnu cijev treba ugraditi sigurnosni ventil ili sigurnosnu grupu koja sprječava povišenje tlaka u kotliću na 0,1 MPa (1 bar) više od nazivne vrijednosti. Ispusni otvor na sigurnosnome ventilu obvezatno mora sadržati izlaz na atmosferski tlak. Prilikom zagrijavanja vode u grijalici tlak vode u kotlu povećava se do granice koja je podešena na sigurnosnome ventilu. Budući da je vraćanje vode natrag u vodovodnu mrežu spriječeno, može se pojaviti kapanje vode iz odvodnoga otvora sigurnosnog ventila. Vodu koja kapa možete sprovesti u odvod preko lijevka za prihvat, koji se postavlja ispod sigurnosnoga ventila. Odvodna cijev koja je postavljena ispod ispusta sigurnosnoga ventila mora biti postavljena vodoravno prema dolje na mjestu na kojem ne može smrznuti. Ako već postavljena instalacija ne omogućuje da vodu koja kaplje iz sigurnosnog ventila možete sprovesti u odvod, kapanje se može izbjeći ugradnjom ekspanzijske posude zapremnine od 3 l na dovodnu cijev grijalice.

Za pravilan rad sigurnosnoga ventila morate sami periodično obavljati provjere kako bi se uklonio vodeni kamenac i provjerila eventualna blokada sigurnosnoga ventila. Prilikom provjere morate pomicanjem ručke ili odvijanjem matice ventila (ovisno o vrsti ventila) otvoriti istjecanje iz sigurnosnog ventila. Pritom kroz sapnicu ventila za istjecanje mora priteći voda, što znači da je ventil besprijekoran.



Legenda:

1 - Sigurnosni ventil

2 - Ispitni ventil

3 - Nepovratni ventil

4 - Redukcijski ventil tlaka

5 - Zaporni ventil

6 - Ispitni nastavak

7 - Čašica s priključkom na izljev

8 - Ekspanzijska posuda

H - Hladna voda

T - Topla voda

**POZOR! Između uređaja i sigurnosnog ventila ne smije se ugraditi zaporni ventil jer bi se time onemogućio rad uređaja.**

Grijalicu možete priključiti na vodovodnu mrežu objekta bez redukcijskoga ventila ako je tlak u mreži niži od nazivnoga tlaka. Ako tlak u mreži premašuje nazivni tlak, morate obvezatno ugraditi redukcijski ventil.

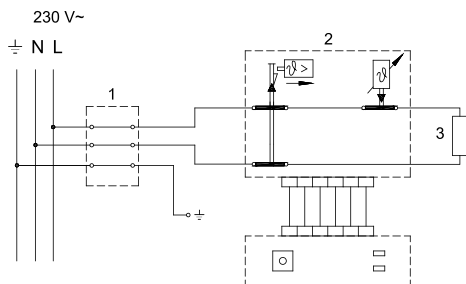
**Grijalicu morate obvezatno napuniti vodom prije priključenja na električnu mrežu.** Prilikom prvoga punjenja otvorite ručku s toplom vodom na miješalici. Grijalica je puna kada voda protječe kroz cijev miješalice.

## PRIKLJUČIVANJE NA ELEKTRIČNU MREŽU

Najprije s raspakirane grijalice odvijačem skinite zaštitnu kapu s njezina kućišta. Prije priključivanja na električnu mrežu u grijalicu treba ugraditi priključnu vrpcu minimalna promjera od najmanje  $1,5 \text{ mm}^2$  (H05VV-F 3G  $1,5 \text{ mm}^2$ ).



Priključivanje grijalice na električnu mrežu mora se obaviti sukladno standardima za postavljanje električnih instalacija. Između grijalice vode i trajne instalacije mora biti ugrađen uređaj za odvajanje svih polova od električne mreže sukladno nacionalnim instalacijskim propisima. Prilikom prvog priključenja ili svakog ponovnog priključenja na priključni napon, na prednjoj se ploči pale oba svjetla na 2 sekunde.



Legenda:

- 1 - Prikjučna spojka
- 2 - Elektronski regulator i dvopolni toplinski osigurač
- 3 - Grijač

L - Fazni vodič  
 N - Neutralni vodič  
 ⚡ - Zaštitni vodič

Električna spojna shema

**POZOR! Prije svakoga zahvata u unutarnjost grijalice obavezno isključiti grijalicu iz električne mreže!**

## UPOTREBA I ODRŽAVANJE

Grijalica je pripravna za uporabu nakon priključenja na vodovodnu i električnu mrežu. Grijalica sadrži elektronski regulator koji omogućuje podešavanje temperature vode, prilagodbu rada grijalice sukladno vašim navikama (program "ECO<sup>SM</sup>") i dijagnostiku pogreški.

### UPRAVLJANJE

Grijalicom vode upravljate okretanjem rotirajućega gumba na željenu razinu.



### Uključenje/isključenje grijalice

- Za uključenje grijalice vode okrećite gumb u smjeru kretanja kazaljke na satu, i to do željene razine temperature.
- Za isključenje grijalice okrenite gumb na položaj "0" (ako grijalici isključite napajanje, morate ispustiti vodu iz nje zbog opasnosti od smrzavanja).

## Podešavanje temperature

- Okretanjem gumba u smjeru kretanja kazaljke na satu podešavate željenu razinu temperature.

ECO<sup>S</sup> - Temperatura ovisi o snimljenim potrebama korisnika.



- Zaštita protiv smrzavanja, temperatura približno 10 °C.



- Temperatura vode približno 35 °C.

ECO - Temperatura vode približno 55 °C.



- Temperatura vode približno 75 °C.

## Rad grijalice u načinu "ECO<sup>S</sup>"

Ovaj način rada primjeren je prvenstveno ako imate prilično ustaljene navike po pitanju potrošnje tople vode (primjer: tuširanje svaki dan približno u isto vrijeme). Za vrijeme snimanja elektronika bilježi vaše navike koje uvažava prilikom zagrijavanja vode. Rad u načinu "ECO<sup>S</sup>" smanjuje potrošnju električne energije.

- "ECO<sup>S</sup>" način rada grijalice uključite okretanjem upravljačkoga gumba u smjeru suprotnome od kretanja kazaljke na satu. Istodobno počinju svijetliti crveno i zeleno svjetlo. Crveno svjetlo signalizira rad grijača, a zeleno rad u načinu "ECO<sup>S</sup>".
- "ECO<sup>S</sup>" funkcija je zasnovana na 7-dnevnom ciklusu. Nakon uključanja te funkcije u prvome se tjednu temperatura vode u grijaču održava na 75 °C i elektronika snima ispuštanja 7 dana zaredom te na osnovi mjerenja  $\Delta T$  utvrđuje količinu potrošene tople vode. Poslije isteka 7-dnevnoga snimanja, snimljeni se režim počinje automatski odvijati i grijač priprema količinu tople vode s obzirom na prethodni tjedan. Prilikom izvođenja snimljenoga režima, taj se režim istodobno i snima. Ako se režim vremenski ili količinski razlikuje od režima snimljenoga prethodni tjedan, naredni se tjedan sprovodi novi snimljeni režim.
- Temperatura vode u načinu "ECO<sup>S</sup>" varira o 40 °C do 75 °C. Kada nema očekivane potrošnje (stand by temperatura) temperatura vode iznosi 40 °C.
- Ako je za vrijeme snimanja došlo do prekida električne energije ili isključenja rada grijalice, snimka nije valjana.
- Izlaskom iz načina "ECO<sup>S</sup>" možete obaviti okretanjem upravljačkoga gumba na bilo koji drugi položaj.

## Funkcija antilegionela

Funkcija je podešena tvornički. Poslije priključenja na električnu mrežu ili nakon izlaska iz pogreške, funkcija antilegionele uključuje se nakon 3 dana.

Kada je grijalica uključena i temperatura vode u grijalici viša od 62 °C neprestano 15 min, završava odbrojavanje. Čim se temperatura spusti niže od 62 °C, ponovno započinje odbrojavanje 30 dana. Ako grijalica u roku od 30 dana ne dostigne 62 °C, uključuje se funkcija antilegionela i grijalica zagrijava vodu na 62 °C na 15 minuta. Ako grijalica nije uključena ili nije priključena na električnu mrežu te ističe vrijeme od 30 dana, funkcija antilegionele ne uključuje se dok se grijalica ne uključi.

Ako je funkcija antilegionele u tijeku i korisnik isključi grijalicu, funkcija se prekida i počinje ponovno brojanje 30 dana.

Ako korisnik smanji podešenu temperaturu za vrijeme rada funkcije antilegionele, funkcija se prekida i počinje ponovno brojanje od 30 dana.



## Indikacija pogreški

U slučaju pogreške ili upozorenja na grijalici, počinju treperiti crveno i zeleno svjetlo kao signalizacija pogreške u odnosu na tabelu u nastavku.

STATUS	CRVENO svjetlo	ZELENO svjetlo
<b>Uobičajeni rad</b>		
Grijalica isključena	/	/
Grijalica uključena, nema pogreške, grijalica ne radi	/	/
Grijalica uključena, nema pogreške, grijalica radi	<b>SVIJETLI</b>	/
<b>Rad u načinu "ECO<sup>S</sup>"</b>		
Grijalica uključena, nema pogreške, grijalica ne radi	/	<b>SVIJETLI</b>
Grijalica uključena, nema pogreške, grijaica radi	<b>SVIJETLI</b>	<b>SVIJETLI</b>
<b>POGREŠKE (nazovite servis)</b>		
Grijalica uključena, pogreška temp. senzora (senzor 1 ili senzor 2 u kratkome spoju ili otvoreni strujni krug, pogreška razlike temp.)	<b>TREPERI</b>	<b>TREPERI</b>
Grijalica uključena, upozorenje grijalica	<b>TREPERI</b>	<b>TREPERI</b>

Ako ne namjeravate koristiti grijalicu dulje vremena, odnosno ako je isključite iz električne mreže, morate ispustiti vodu iz nje zbog opasnosti od smrzavanja! Voda iz grijalice prazni se kroz dovodnu cijev grijalice. U tu je svrhu preporučljivo prilikom ugradnje, između sigurnosnoga ventila i dovodne cijevi grijalice postaviti poseban fitting (T-komad) ili ispusni ventil. Grijalicu možete također isprazniti neposredno kroz sigurnosni ventil pomicanjem ručice, odnosno okretne kapice ventila u položaj kao prilikom provjere rada. Prije pražnjenja valja isključiti grijalicu iz električne mreže, a zatim otvoriti ručicu za toplu vodu na priključenoj bateriji za miješanje. Nakon pražnjenja vode kroz dovodnu cijev grijalice ostaje manja količina vode koja prilikom uklanjanja grijače prirubnice iscuri kroz otvor grijače prirubnice.

Vanjski dio grijalice čistite blagom otopinom deterdženta. Nemojte koristiti gruba sredstva za čišćenje.

Redovitom servisnom kontrolom osigurat ćete besprijekoran rad i dug životni vijek grijalice. Jamstvo u slučaju pojave rđe vrijedi ako ste obavljali redovite preglede istrošenosti zaštitne anode. Intervali pojedinačnih pregleda ne smiju biti dulji od 36 mjeseci. Preglede mora obavljati ovlašteni serviser koji pregled evidentira u jamstvenome listu proizvođača. Prilikom kontrole potrebno je provjeriti istrošenost zaštitne anode od korozije te prema potrebi očistiti vodeni kamenac koji se s obzirom na kakvoću, količinu i temperaturu potrošene vode nakuplja u unutrašnjosti grijalice.

Servisna služba preporuča datum naredne kontrole s obzirom na stanje grijalice.

**POZOR! Eventualne kvarove grijalice nemojte popravljati sami već potražite stručnu intervenciju najbliže ovlaštene servisne službe.**

## TEHNIČKA SVOJSTVA UREĐAJA

Tip		TGR 30 SM	TGR 50 SM	TGR 80 SM	TGR 100 SM	TGR 120 SM
Deklarirani profil opterećenja		S	M	M	L	L
Razred energetske učinkovitosti <sup>1)</sup>		C	C	C	C	C
Energetska učinkovitost pri zagrijavanju vode ( $\eta_{wh}$ ) <sup>1)</sup>	[%]	34,5	37,3	37,2	38,0	37,6
Godišnja potrošnja električne energije <sup>1)</sup>	[kWh]	531	1378	1381	2691	2725
Dnevna potrošnja električne energije <sup>2)</sup>	[kWh]	2,715	6,985	7,251	13,502	13,843
Postavka temperature na termostatu		"eco"	"eco"	"eco"	"eco"	"eco"
Vrijednost oznake "smart" <sup>3)</sup>		1	1	1	1	1
Tjedna potrošnja električne energije s pametnim upravljanjem	[kWh]	14,801	26,658	30,211	55,225	55,725
Tjedna potrošnja električne energije bez pametnog upravljanja	[kWh]	15,998	29,071	34,121	59,985	61,057
Korisna zapremnina	[l]	30,4	47,5	76,1	96,1	116,4
Količina miješane vode pri 40 °C V40 <sup>2)</sup>	[l]	-	67	116	134	168
Vrijeme zagrijavanja od 10 °C do 65 °C	[h]	0:59	1:38	2:37	3:16	3:55
Nazivni tlak	[MPa (bar)]	0,6 (6)				
Masa grijalice/napunjene vodom	[kg]	20/50	24/74	30/110	34/134	38/158
Zaštita kotla od korozije		Emajlirano / Mg anoda				
Snaga električnoga grijača	[W]	2000				
Priključni napon	[V~]	230				
Klasa zaštite		I				
Stupanj zaštite		IP24				

1) Uredba komisije EU 812/2013; EN 50440

2) EN 50440

3) Podatci o energetske učinkovitosti i potrošnji energije vrijede samo ako je uključen pametni upravljački uređaj.

PRIDRŽAVAMO PRAVO NA IZMJENE KOJE NE UTJEČU NA FUNKCIONALNOST UREĐAJA.

Upute za uporabu dostupne su i na našoj internetskoj stranici  
<http://www.gorenje.com> .

## ПРЕДУПРЕДУВАЊА

⚠️ Апаратот можат да го употребуваат деца на возраст од 8 години и постари и лица со намалени физички, психички или ментални способности или со недостаток на искуства, односно знаење, доколку се под надзор или се поучени за употреба на апаратот на безбеден начин и ги разбираат можните опасности.

⚠️ Децата не смеат да си играат со апаратот.

⚠️ Чистење и одржување на апаратот не смеат да го вршат деца без надзор.

⚠️ Вградувањето мора да биде изведено во согласност со важечките закони и според упатствата на производителот. Мора да биде изведено од стручно оспособен monter.

⚠️ Во случај на затворен систем под притисок, на доводната цевка за вода на греалката за вода (бојлерот) при приклучувањето задолжително треба да се вгради сигурносен вентил со номинален притисок од 0,6 МПа (6 бари), 0,9 МПа (9 бари) или 1,0 МПа (10 бари) (видете го запишаното на таблицата за идентификација), кој оневозможува зголемување на притисокот во котелот за повеќе од 0,1 МПа (1 бар) над номиналниот.

⚠️ Од одводниот отвор на безбедносниот вентил може да капи вода. Заради тоа, одводниот отвор мора да биде отворен на атмосферски притисок.

⚠️ Испустот на безбедносниот вентил мора да биде насочен во насока надолу и на простор каде што нема да замрзнува.

⚠️ За правилно работење на сигурносниот вентил, треба периодично да се врши контрола, да се отстрани бигорот и да се провери да не е блокиран сигурносниот вентил.

⚠️ Помеѓу греалката за вода (бојлерот) и сигурносниот вентил не е дозволено да се вградува вентил за затворање, затоа што со тоа се оневозможува притиснатата безбедност на греалката за вода (бојлерот)!

⚠️ Пред приклучувањето на електрична мрежа греалката треба најпрвин да ја наполните со вода!

⚠️ Греалката за вода е заштитена во случај на откажување

на работниот термостат со додатна топлотна заштита. Во случај на откажување на термостатот, во согласност со безбедносните стандарди, водата во греалката за вода (бојлерот) може да достигне температура до 130°C. При изведувањето на водоводните инсталации, задолжително треба да се земе предвид дека е можно да дојде до наведените температурни преоптоварувања.

**⚠** Ако сакате греалката за вода (бојлерот) да ја исклучите од електричната мрежа, мора да ја испуштите водата од греалката за вода поради опасност од замрзнување.

**⚠** Ве молиме да не ги поправате сами евентуалните оштетувања на греалката, туку за тоа да го известите најблискиот овластен сервис.



Нашите производи се опремени со компоненти кои што не се штетни за животната средина и здравјето и се изработени со можност што поедноставно да се расклопат и рециклираат во последната фаза од нивниот работен циклус.

Со рециклирањето на материјалите ја намалуваме количината на отпад и ја намалуваме потребата од производство на основни материјали (на пример метали), што бара огромна енергија и предизвикува испуштање штетни материји. Со постапките на рециклажа ја намалуваме потрошувачката на природни ресурси, бидејќи на тој начин можеме повторно да ги вратиме отпадните делови од пластика и метали во различни производни процеси. За повеќе информации во врска со системот за фрлање отпадоци посетете го својот центар за исфрлање на отпадоците или трговецот каде што бил купен производот.

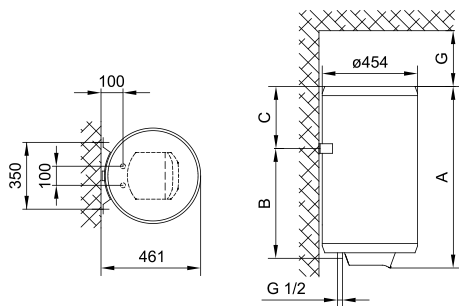
**Почитуван купувач, ви благодариме за довербата што ни ја искажувате со купувањето на нашиот производ !  
ВЕ МОЛИМЕ, ПРЕД ВГРАДУВАЊЕТО И ПРВАТА  
УПОТРЕБА НА ГРЕАЛКАТА ЗА ВОДА, ВНИМАТЕЛНО  
ПРОЧИТАЈТЕ ГИ НАШИТЕ УПАТСТВА.**

Согласно со најновите насоки, за своите позахтевни купувачи развиеме електричен греалка за вода TGR, опремена со интелигентен електронски регулатор што покрај подесувањето на температурата во греалката нуди и паметен начин на работење "ECO<sup>S</sup>". Имено, врз основа на снимањето на вашите навики греалката според одреден временски период самата го подесува оптималниот начин на работењето што овозможува минимална потрошувачка на електричната енергија што е потребна за задоволување на вашите потреби од топла вода. Греалката е изработена согласно со важечките стандарди и уредно испробана,

исто така за неа се издадени сертификат за безбедност и сертификат за електромагнетна компатибилност. Нејзините основни технички карактеристики се наведени на табличката, што е залепена помеѓу приклучните цевки на апаратот. Приклучувањето на бојлерот на електричната или водоводната мрежа може да го изврши само оспособено стручно лице. Интервенирањето во неговата внатрешност поради поправка, отстранување на бигор или поради проверка или заменување на противкорозијска заштитна анода, може да ги врши само овластена сервисна служба.

## ВГРАДУВАЊЕ

Греалката вградете ја што поблиску до изливното место. Доколку греалката ја вградите во просторот кадешто се наоѓа кадата за бањање или туширање, треба задолжително да се почитуваат барањата на стандардот IEC 60364-7-701 (VDE 0100, Teil 701). Гралката прицврстете ја на сидот со две завртки за сидови, со номинален пречник од најмалку 8 мм. Сидовите и таваните со мала носилност треба на местото каде што ќе ја прикачите греалката соодветно да ги зајакнете. Греалките прицврстувајте ги на сидот само вертикално. Поради полесната контрола и менувањето на магнيسيум анодата ви препорачуваме помеѓу врвот на греачот и таванот да оставите доволно слободно место (гледај ја измерата Г на шемата на приклучни измери). Во спротивен случај ќе треба при спомнатиот сервисен зафат греачот да се демонира од таванот.



	A	B	C	G
TGR 30 SM	476	275	173	80
TGR 50 SM	578	365	185	130
TGR 80 SM	783	565	190	180
TGR 100 SM	943	715	200	260
TGR 120 SM	1098	865	205	260

Приклучни и монтажни димензии на греалката [мм]

## ПРИКЛУЧУВАЊЕ НА ВОДОВОДНА МРЕЖА

Доведувањето и одведувањето на водата се означени со боја. Доведувањето на ладната вода е означено со сина боја, а одведувањето на топлата вода со црвена боја.

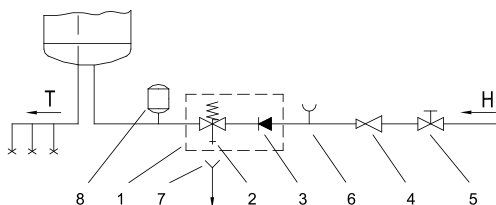
Бојлерот можете да го приклучите на водоводната мрежа на два начина. Затворениот систем на приклучување (под притисок) ви овозможува одземање на вода на повеќе места. Отворениот систем на приклучување (проточен) ви дозволува само едно одземно место. Со оглед на одберениот систем на приклучување треба да вградите соодветна батерија за мешање.

Отворениот (проточен) систем на приклучување бара вградување на неповратен вентил кој го спречува истекувањето на водата од котелот, во случај на редуција на вода. Поради зголемувањето на водата при греењето се зголемува волуменот, што предизвикува појава на капкање вода на одливната цевка на мешалната батерија. Силното затегнување на вентилот на мешалната батерија нема да ја спречи појавата на капкање вода, но може да предизвика расипување на мешалната батерија.

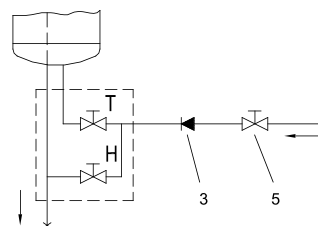
Затворениот систем на приклучување на одземните места бара вградување на мешална батерија за работа под притисок. На доводната цевка поради безбедност на работењето задолжително треба да се вгради сигурносен вентил или сигурносна група, која спречува зголемување на притисокот во котелот за повеќе од 0,1 МРа (1 бар) над номиналниот. Одводниот отвор на безбедносниот вентил треба задолжително да има излез за атмосферскиот притисок. Поради зголемувањето на водата при греењето, во котелот се зголемува притисокот до границата што ја дозволува сигурносниот вентил. Бидејќи враќањето на водата назад во водоводната мрежа е спречено, може да дојде до појава на капкање вода од одводниот отвор на сигурносниот вентил. Капките вода можете да ги спроведете во одводот со помош на посебна инка која ќе ја наместите под сигурносниот вентил.

Одводната цевка наместена под испустот на сигурносниот вентил мора да биде наместена во насока право надолу и во местото каде што не замрзува. Доколку веќе поставената инсталација не овозможува водата што капи од повратниот безбедносен вентил да ја спроведете во одводот, капкањето можете да го избегнете ако кај доводната цевка на греалката вградите експанзиски сад со волумен од 3 л.

За правилно работење на безбедносниот вентил треба самите периодично да вршите контроли, да го чистите бигорот и да се проверува евентуелната блокада на безбедносниот вентил. При проверката треба со поместување на рачката или со одвртување на бурмата на вентилот (зависно од видот на вентилот) да го отворите истекувањето од повратниот безбедносен вентил. При тоа, низ млазницата на вентилот за истекување треба да протече вода, што е знак дека вентилот е беспрекорен.



Затворен систем (со притисок)



Отворен систем (прелевен)

Легенда:

- 1 - Сигурносен вентил
- 2 - Пробен вентил
- 3 - Неповратен вентил
- 4 - Редуционен вентил за притисок
- 5 - Затворен вентил

- 6 - Пробна наставка
- 7 - Одливник со приклучок на одвод
- 8 - Експанзиски сад
- H - Ладна вода
- T - Топла вода

**Помеѓу греалката и повратниот сигурносен вентил не смеете да вградите затворен вентил бидејќи со тоа ќе го оневозможите работењето на повратниот сигурносен вентил.**

Греалката можете да ја приклучите на куќната водоводна мрежа без редуциски вентил доколку притисокот во мрежата е понизок од номинаниот притисок. Доколку притисокот во мрежата го надминува номиналниот притисок, треба задолжително да вградите редуциски вентил.

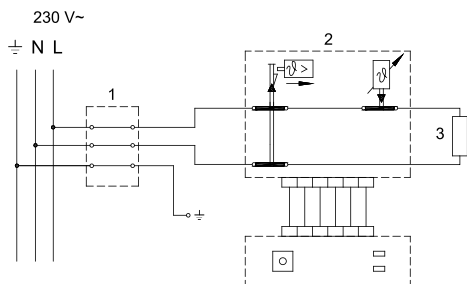
**Пред приклучувањето на електрична мрежа греалката треба најпрвин да ја наполните со вода.** Кај првото полнење отворете ја рачката за топла вода на батеријата за мешање. Греалката е наполнета кога водата протечува низ изливната цевка на мешалната батерија.

## ПРИКЛУЧУВАЊЕ НА ЕЛЕКТРИЧНА МРЕЖА

Пред приклучувањето во електричната мрежа треба во греачот да се вгради врвка за приклучување, со минимален пречник од  $1,5 \text{ mm}^2$  (H05VV-F 3G  $1,5 \text{ mm}^2$ ). Затоа треба да го извадите пластичниот заштитен капак.



Приклучувањето на греалката на електричната мрежа треба да се врши согласно со стандардите за електричната мрежа. Помеѓу греачот на водата и трајната инсталација треба да биде вградена справа за одделување на сите полови од електричната мрежа согласно со националните прописи за инсталација. При првото приклучување или секое ново приклучување на напонот за полнење, двете сијалички на челните плочи се запалуваат за 2 секунди.



Легенда:

- 1 - Приклучна спојка
- 2 - Електронски регулатор и двополен топлински осигурувач
- 3 - Грејач

L - Фазен спроводник  
 N - Неутрален спроводник  
 ⊥ - Заштитен спроводник

Шема на електрично поврзување

**ПРЕДУПРЕДУВАЊЕ:** пред секое навлегување во нејзината внатрешност треба греалката задолжително да ја исклучите од електричната мрежа!

# УПОТРЕБА И ОДРЖУВАЊЕ

После приклучувањето на водоводната и електричната мрежа, греалката е подготвена за употреба. Греалката е опремена со електронски регулатор што овозможува подесување на температурата на водата, приспособување на работењето на греачот со оглед на вашите навики (програмата "ECO<sup>S</sup>") и дијагностика на грешките.

## УПРАВУВАЊЕ

Греалката на вода се управува со помош на копче, односно со вртење на истото на саканото ниво.



### Вклучување/исклучување на греалката

- За вклучување на греалката треба да се заврти копчето во насоката на движењето на казалката на саатот до саканото температурно ниво.
- За исклучување на греалката треба копчето да се намести на позицијата "0" (доколку на греалката ќе и го прекинете полнењето, ќе треба во случај на опасност од замрзнување на водата, истата да ја источите).

### Подесување на температурата

- Со вртењето на копчето во насоката на движењето на казалката на саатот го подесуваме саканото температурно ниво.

ECO<sup>S</sup> - Температура зависна од снимените потреби на корисникот.



- Заштита против замрзнување, температура приближно 10 °C.



- Температура на водата приближно 35 °C.

ECO - Температура на водата приближно 55 °C.



- Температура на водата приближно 75 °C.

### Работење на греалката во "ECO<sup>S</sup>" начинот на работење

Овој начин на работење е соодветен пред сè во случај кога имате релативно постојани навики што се однесуваат на трошењето на топлата вода (пример: туширање секој ден приближно во исто време). За време на снимањето електрониката ги запаметува вашите навики кои потоа се земаат предвид при загревањето вода. Работењето во "ECO<sup>S</sup>" начинот ја намалува потрошувачката



на електричната енергија.

- "ECO<sup>S</sup>" начинот на работењето на греалката го вклучувате со вртењето на копчето за управување во насока спротивна од движењето на казалките на саатот. Истовремено почнуваат да горат црвена и зелена сијаличка. Црвената го сигнализира работењето на греалката, а зелената работењето во "ECO<sup>S</sup>" начинот.
- "ECO<sup>S</sup>" функцијата се базира на циклус од 7 дена. После вклучувањето на оваа функција првата недела се одржува температурата на водата во греачот на 75 °C и електрониката ги снима пуштањата во наредните 7 дена по ред и врз основа на мерењето  $\Delta T$  го констатира количеството на потрошената топла вода. После истекувањето на снимањето од 7 дена, снимениот режим почнува автоматски да се реализира и греалката го потготвува количеството на топлата вода врз основа на потрошената топла вода од претходната недела. Покрај реализацијата на снимениот режим, истиот истовремено и се снима. Во случај режимот временски или волуменски да се разликува од режимот снимен претходната недела, следната недела се реализира наново снимениот режим.
- Температура на водата во "ECO<sup>S</sup>" начинот се движи помеѓу 40 °C и 75 °C. Кога не се троши очекуваното потрошување (stand by temperatura), тогаш температурата на водата изнесува 40 °C.
- Доколку за време на снимањето дојде до прекин на електрична енергија или до исклучување на греачот, снимката не важи.
- Излез од "ECO<sup>S</sup>" начинот може да се изврши со вртење на копчето за управување на која било друга позиција.

### Функција антилегионела

Функцијата е подесена фабрички. После приклучувањето на електричната мрежа или после излезот од грешката, функцијата за антилегионела се вклучува после три дена.

Кога греачот е вклучен и температурата на водата во греачот е повисока од 62 °C без прекин 15 мин, одбројувањето завршува. Веднаш штом температурата паѓа под 62 °C, повторно започнува одбројувањето од 30 дена. Доколку греалката во рок од 30 дена не ја постигне температурата од 62 °C, тогаш се вклучува функцијата за антилегионела и греачот ја загрева водата на 62 °C за 15 минути.

Доколку греалката не е вклучена или не е приклучена на електричната мрежа и притоа изминува периодот од 30 дена, функцијата на антилегионела не се вклучува додека не се вклучува греалката.

Доколку функцијата на антилегионела е во тек, а корисникот ја исклучува греалката, функцијата се прекинува и повторно започнува со одбројувањето на 30-те денови.

Доколку корисникот ја намали подесената температура за време на вршењето на функцијата на антилегионела, функцијата се прекинува и повторно започнува со одбројувањето на 30-те денови.

### Индикација на грешки

Во случај на грешки или предупредувања на греалката, со треперење на црвената и зелената сијаличка почнува да се сигнализира грешката според напишаното во долната табела.

СТАТУС	ЦРВЕНА сијаличка	ЗЕЛЕНА сијаличка
<b>Нормално работење</b>		
Греачот е исклучен	/	/
Греачот е вклучен, нема грешка, греачот не работи	/	/
Греачот е вклучен, нема грешка, греачот работи	<b>СВЕТИ</b>	/
<b>Работење во режимот "ЕСО<sup>S</sup>"</b>		
Греачот е вклучен, нема грешка, греачот не работи	/	<b>СВЕТИ</b>
Греачот е вклучен, нема грешка, греачот работи	<b>СВЕТИ</b>	<b>СВЕТИ</b>
<b>ГРЕШКИ (Повикајте сервисна служба)</b>		
Греачот е вклучен, грешка на темп. сензор (сензор 1 или сензор 2 со кус прекин или во отворено струјно коло, грешка во разликата на темп.)	<b>ТРЕПЕРИ</b>	<b>ТРЕПЕРИ</b>
Греачот е вклучен, предупредување на греачот	<b>ТРЕПЕРИ</b>	<b>ТРЕПЕРИ</b>

Доколку не планирате греалката да ја користите подолго време и ја исклучувате или доколку ја исклучувате од електричната мрежа, треба при опасност од замрзнување, водата од греалката да ја истоите! Водата од греалката се источува со помош на доточната цевка на греалката. Во та намена препорачливо е при вградувањето помеѓу безбедносниот вентил и доводната цевка на греачот да се намести посебен фитинг (Т-член) или вентил за пуштање. Греалката можете да ја испразните и непосредно низ безбедносниот вентил со поместување на рачката, односно вртливиот мало капаче на вентилот во положба како при проверувањето на работењето. Пред испразнувањето треба греалката да се исклучи од електричната мрежа и потоа да се отвори рачката за топла вода на приклучената батерија за мешање. После празнењето на водата низ доводната цевка во греалката останува помало количество на вода што истечува при потргнувањето на прирабницата за греење низ отворот на прирабницата за греење. Надворешноста на бојлерот чистете ја со неагресивен раствор на прашок за перење. Не употребувајте разредувачи или груби средства за чистење. Со редовни сервисни прегледи можете на бојлерот да му осигурате долг животен век и усовершено работење. Гаранцијата против рѓосување на котелот е важечка само доколку сте ги вршеле пропишаните редовни прегледи за потрошеноста на заштитните аноди. Периодот помеѓу два редовни прегледи не смее да биде подолг од 36 месеци. Прегледите треба да ги изведе овластен сервисер, којшто

секој преглед ќе ви го забележи во гаранцискиот картон на производот. Потребно е да се провери истрошеноста на противкорозивната заштитна анода и по потреба да се очисти бигорот кој се собира во внатрешноста на бојлерот. Истовремено сервисната служба, според согледаната состојба, ќе ви го препорача датумот за следната контрола.

**Ве молиме, евентуелните оштети на греалката да не ги поправате сами туку за тоа да го известите најблискиот овластен сервис.**

## ТЕХНИЧКИ КАРАКТЕРИСТИКИ НА ГРЕАЛКАТА

Тип		TGR 30 SM	TGR 50 SM	TGR 80 SM	TGR 100 SM	TGR 120 SM
Определен профил на оптоварување		S	M	M	L	L
Класа на енергетска ефикасност <sup>1)</sup>		C	C	C	C	C
Енергетска ефикасност при загревање на вода ( $\eta_{wh}$ ) <sup>1)</sup>	[%]	34,5	37,3	37,2	38,0	37,6
Годишна употреба на електрична енергија <sup>1)</sup>	[kWh]	531	1378	1381	2691	2725
Дневна употреба на електрична енергија <sup>2)</sup>	[kWh]	2,715	6,985	7,251	13,502	13,843
Поставена температура на термостатот		"eco"	"eco"	"eco"	"eco"	"eco"
Вредност "smart" <sup>3)</sup>		1	1	1	1	1
Дневна употреба на електрична енергија со паметно управување	[kWh]	14,801	26,658	30,211	55,225	55,725
Дневна употреба на електрична енергија без паметно управување	[kWh]	15,998	29,071	34,121	59,985	61,057
Зафатнина	[l]	30,4	47,5	76,1	96,1	116,4
Кол. на мешана вода при 40 °C V40 <sup>2)</sup>	[l]	-	67	116	134	168
Време за загревање од 10 °C до 65 °C	[h]	0:59	1:38	2:37	3:16	3:55
Номинален притисок	[MPa (bar)]	0,6 (6)				
Тежина/наполнетсо вода	[kg]	20/50	24/74	30/110	34/134	38/158
Противкорозиона заштита на котелот		enamelled & Mg Anode				
Јакост на електричната греалка	[W]	2000				
Приклучен напон	[V~]	230				
Заштитна класа		I				
Степен на заштита		IP24				

1) Уредба на комисија EU 812/2013; EN 50440

2) EN 50440

3) Податоците за енергетска ефикасност важат само со вклучена паметна направа за управување.

**ГО ЗАДРЖУВАМЕ ПРАВОТО ЗА ИЗМЕНИ КОИ НЕ ВЛИЈААТ НА ФУНКЦИОНАЛНОСТА НА АПАРАТОТ.**

Упатствата за употреба може да ги најдете и на нашата веб-локација:  
<http://www.gorenje.com>.

## OPOZORILA

- ⚠ Aparat lahko uporabljajo otroci stari 8 let in starejši in osebe z zmanjšanimi fizičnimi, čutnimi ali mentalnimi sposobnostmi ali s pomanjkanjem izkušenj oz. znanjem če so pod nadzorom ali poučeni glede uporabe aparata na varen način in da razumejo možne nevarnosti.
- ⚠ Otroci se ne smejo igrati z aparatom.
- ⚠ Čiščenje in vzdrževanje aparata ne smejo izvajati otroci brez nadzora.
- ⚠ Vgradnja mora biti izvedena v skladu z veljavnimi predpisi in po navodilih proizvajalca. Izvesti jo mora strokovno usposobljen monter.
- ⚠ Pri zaprtem, tlačnem sistemu priključitve je potrebno na dotočno cev grelnika vode obvezno vgraditi varnostni ventil z nazivnim tlakom 0,6 MPa (6 bar), 0,9 MPa (9 bar) ali 1,0 MPa (10 bar) (glejte napisno tablico), ki preprečuje zvišanje tlaka v kotlu za več kot 0,1 MPa (1 bar) nad nazivnim.
- ⚠ Voda lahko kaplja iz odtočne odprtine varnostnega ventila zato mora biti odtočna odprtina odprta na atmosferski tlak.
- ⚠ Izpust varnostnega ventila mora biti nameščen v smeri navzdol in v območju, kjer ne zamrzuje.
- ⚠ Za pravilno delovanje varnostnega ventila je potrebno periodično izvajati kontrole, da se odstrani vodni kamen in se preveri, da varnostni ventil ni blokiran.
- ⚠ Med grelnik vode in varnostni ventil ni dovoljeno vgraditi zapornega ventila, ker s tem onemogočite tlačno varovanje grelnika!
- ⚠ Pred električno priključitvijo je potrebno grelnik obvezno najprej napolniti z vodo!
- ⚠ Grelnik je zaščiten za primer odpovedi delovnega termostata z dodatno toplotno varovalko. V primeru odpovedi termostata lahko v skladu z varnostnimi standardi voda v grelniku doseže temperaturo tudi do 130 °C. Pri izvedbi vodovodnih inštalacij je obvezno potrebno upoštevati, da lahko pride do navedenih temperaturnih preobremenitev.
- ⚠ Če boste grelnik iz električnega omrežja izklopili, morate ob nevarnosti zamrznitve vodo iz njega iztočiti.

**⚠** Prosimo Vas, da morebitnih okvar na grelniku ne popravljate sami, ampak o njih obvestite najbližjo pooblaščen servisno službo.



Naši izdelki so opremljeni z okolju in zdravju neškodljivimi komponentami in so izdelani tako, da jih lahko v njihovi zadnji življenjski fazi čim bolj enostavno razstavimo in recikliramo.

Z reciklažo materialov zmanjšujemo količine odpadkov in zmanjšamo potrebo po proizvodnji osnovnih materialov (na primer kovine), ki zahteva ogromno energije ter povzroča izpuste škodljivih snovi. Z reciklažnimi postopki tako zmanjšujemo porabo naravnih virov, saj lahko odpadne dele iz plastike in kovin ponovno vrnemo v različne proizvodne procese.

Za več informacij o sistemu odlaganja odpadkov obiščite svoj center za odlaganje odpadkov, ali trgovca, pri katerem je bil izdelek kupljen.

**Cenjeni kupec, zahvaljujemo se Vam za nakup našega izdelka.**

**PROSIMO, DA PRED VGRADNJO IN PRVO UPORABO GRELNIKA VODE SKRBNO PREBERETE NAVODILA.**

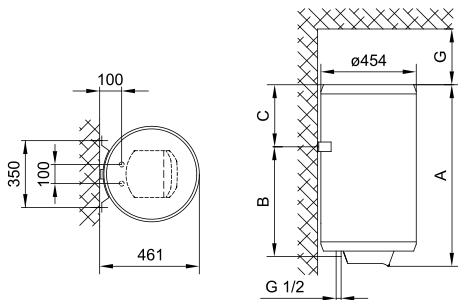
V skladu z najnovejšimi smernicami smo za svoje zahtevnejše kupce razvili električni grelnik vode TGR, ki je opremljen z inteligentnim elektronskim regulatorjem, ki poleg nastavitve temperature vode v grelniku, nudi tudi "ECO<sup>Sm</sup>" pametni način delovanja. Grelnik na podlagi snemanja vaših navad po določenem časovnem obdobju namreč sam izračuna optimalni način delovanja, ki omogoča minimalno potrošnjo električne energije potrebno za zadovoljitev vaših potreb po topli vodi.

Grelnik je izdelan v skladu z veljavnimi standardi in uradno preizkušen, zanj pa sta bila izdana tudi varnostni certifikat in certifikat o elektromagnetni kompatibilnosti. Njegove osnovne tehnične lastnosti so navedene na napisni tablici, nalepljeni med priključnima cevema. Grelnik sme priključiti na vodovodno in električno omrežje le za to usposobljen strokovnjak. Posege v njegovo notranjost zaradi popravila, odstranitve vodnega kamna ter preverjanja ali zamenjave protikorozijske zaščitne anode lahko opravi samo pooblaščen servisna služba.

## VGRADNJA

Grelnik vgradite čim bližje odjemnim mestom. Če boste grelnik vgradili v prostor, kjer se nahaja kopalna kad ali prha, je potrebno obvezno upoštevati zahteve standarda IEC 60364-7-701 (VDE 0100, Teil 701). Na steno ga pritrdite s stenskima vijakoma nominalnega premera minimalno 8 mm. Steno s slabo nosilnostjo morate na mestu, kamor ga boste obesili, primerno ojačati. Grelnik smete pritrditi na steno samo pokončno. Zaradi lažje kontrole in menjave magnezijeve anode, vam priporočamo, da med vrhom grelnika in stropom pustite zadosti prostora (glej mero G na skici -

Priključne in montažne mere). V nasprotnem primeru bo ob servisnem posegu potrebno grelnik demontirati s stene.



	A	B	C	G
TGR 30 SM	476	275	173	80
TGR 50 SM	578	365	185	130
TGR 80 SM	783	565	190	180
TGR 100 SM	943	715	200	260
TGR 120 SM	1098	865	205	260

Priključne in montažne mere grelnika [mm]

## PRIKLJUČITEV NA VODOVODNO OMREŽJE

Dovod in odvod vode sta na ceveh grelnika barvno označena. Dovod hladne vode je označen modro, odvod tople vode pa rdeče.

Grelnik lahko priključite na vodovodno omrežje na dva načina. Zaprti, tlačni sistem priključitve omogoča odjem vode na več odjemnih mestih, odprti, netlačni sistem pa dovoljuje samo eno odjemno mesto. Glede na izbrani sistem priključitve morate vgraditi ustrezne mešalne baterije.

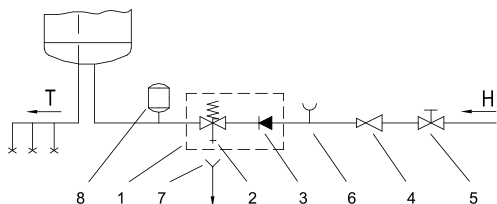
Pri odprtem, netlačnem sistemu je treba pred grelnik vgraditi nepovratni ventil, ki preprečuje iztekanje vode iz kotla, če v omrežju zmanjka vode. Pri tem sistemu priključitve morate uporabiti pretočno mešalno baterijo. V grelniku se zaradi segrevanja prostornina vode povečuje, to pa povzroči kapljanje iz cevi mešalne baterije. Z močnim zategovanjem ročaja na mešalni bateriji kapljanja vode ne morete preprečiti, temveč lahko baterijo le pokvarite.

Pri zaprtem, tlačnem sistemu priključitve morate na odjemnih mestih uporabiti tlačne mešalne baterije. Na dotočno cev je zaradi varnosti delovanja obvezno treba vgraditi varnostni ventil ali varnostno grupo, ki preprečuje zvišanje tlaka v kotlu za več kot 0,1 MPa (1 bar) nad nominalnim. Iztočna odprtina na varnostnem ventilu mora imeti obvezno izhod na atmosferski tlak. Pri segrevanju vode v grelniku se tlak vode v kotlu zvišuje do meje, ki je nastavljena v varnostnem ventilu. Ker je vračanje vode nazaj v vodovodno omrežje preprečeno, lahko pride do kapljanja vode iz odtočne odprtine varnostnega ventila. Kapljajočo vodo lahko speljete v odtok preko lovilnega nastavka, ki ga namestite pod varnostni ventil. Odtočna cev nameščena pod izpustom varnostnega ventila mora biti nameščena v smeri naravnost navzdol in v okolju, kjer ne zmrzuje.

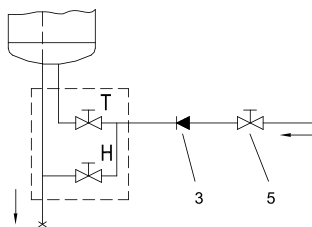
V primeru, da že izvedena inštalacija ne omogoča, da bi kapljajočo vodo iz varnostnega ventila speljali v odtok, se lahko kapljanju izognete z vgradnjo ekspanzijske posode volumna 3 l na dotočni cevi grelnika.

Za pravilno delovanje varnostnega ventila morate sami periodično izvajati kontrole,

da se odstrani vodni kamen in da se preveri, da varnostni ventil ni blokiran. Ob preverjanju morate s premikom ročke ali odvrtjem matice ventila (odvisno od tipa ventila) odpreti iztok iz varnostnega ventila. Pri tem mora priteči skozi iztočno šobo ventila voda, kar je znak, da je ventil brezhiben.



Zaprti (tlačni) sistem



Odprti (netlačni) sistem

Legenda:

1 - Varnostni ventil

2 - Preizkusni ventil

3 - Nepovratni ventil

4 - Redukcijski ventil tlaka

5 - Zaporni ventil

6 - Preizkusni nastavek

7 - Lijak s priključkom na odtok

8 - Ekspanzijska posoda

H - Hladna voda

T - Topla voda

**Med grelnik in varnostni ventil ne smete vgraditi zapornega ventila, ker bi s tem delovanje varnostnega ventila onemogočili.**

Grelnik lahko priključite na hišno vodovodno omrežje brez redukcijskega ventila, če je tlak v omrežju nižji od nazivnega tlaka. Če tlak v omrežju presega nazivni tlak, morate obvezno vgraditi redukcijski ventil.

**Pred električno priključitvijo morate grelnik obvezno najprej napolniti z vodo.**

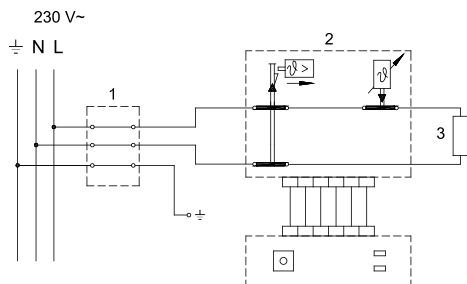
Pri prvi polnitvi odprete ročico za toplo vodo na mešalni bateriji. Grelnik je napolnjen, ko voda priteče skozi izlivno cev mešalne baterije.

## PRIKLJUČITEV NA ELEKTRIČNO OMREŽJE

Pred priključitvijo v električno omrežje je potrebno v grelnik vgraditi priključno vrvico minimalnega preseka vsaj 1,5 mm<sup>2</sup> (H05VV-F 3G 1,5 mm<sup>2</sup>). Da to lahko storite, morate z grelnika odviti zaščitni pokrov.



Priključitev grelnika na električno omrežje mora potekati v skladu s standardi za električne napeljave. Med grelnikom vode in trajno inštalacijo mora biti vgrajena priprava za ločitev vseh polov od električnega omrežja v skladu z nacionalnimi inštalacijskimi predpisi. Pri prvem priklopu ali vsakem ponovnem priklopu na napajalno napetost se na čelni plošči prižgeta obe lučki za 2 sekundi.



Legenda:

- 1 - Priključna sponka
- 2 - Elektronski regulator in dvopolna toplotna varovalka
- 3 - Grelno

L - Fazni vodnik  
 N - Nevtralni vodnik  
 ≡ - Zaščitni vodnik

Shema električne vezave

**OPOZORILO: Pred vsakim posegom v njegovo notranjost morate grelnik obvezno izključiti iz električnega omrežja!**

## UPORABA IN VZDRŽEVANJE

Po priključitvi na vodovodno in električno omrežje je grelnik pripravljen za uporabo. Grelnik je opremljen z elektronskim regulatorjem, ki omogoča nastavitve temperature vode, prilagoditev delovanja grelnika glede na vaše navade (program "ECO<sup>S</sup>") in diagnostiko napak.

### UPRAVLJANJE

Grelnik vode upravljate preko vrtljivega gumba z vrtenjem le tega na zelen nivo.



### Vklop / izklop grelnika

- Za vklop grelnika vodo zavrtite gumb v smeri urinega kazalca do zelenega temperaturnega nivoja.
- Za izklop grelnika zavrtite gumb na pozicijo "0" (če boste grelniku izključili napajanje, morate ob nevarnosti zamrznitve vodo iz njega iztočiti).



## Nastavitev temperature

- Temperaturo nastavljate z vrtenjem gumba v smeri urinega kazalca na zelen temperaturni nivo.

ECO<sup>S</sup> - Temperatura odvisna od posnetih potreb uporabnika.



- Zaščita proti zmrzovanju, temperatura približno 10 °C.



- Temperatura vode približno 35 °C.

ECO - Temperatura vode približno 55 °C.



- Temperatura vode približno 75 °C.

## Delovanje grelnika v načinu "ECO<sup>S</sup>"

Ta način delovanja je primeren predvsem takrat, ko imate precej ustaljene navade kar se tiče porabe tople vode (primer: tuširanje vsak dan približno ob istih urah). V času snemanja si elektronika zapomni vaše navade, katere upošteva pri segrevanju vode. Delovanje v načinu "ECO<sup>S</sup>" zmanjša porabo električne energije.

- "ECO<sup>S</sup>" način delovanja grelnika vklopite z zasukom upravljalnega gumba v nasprotni smeri urinega kazalca. Sočasno začneta goreti rdeča in zelena lučka. Rdeča signalizira delovanje grelca, zelena pa delovanje v "ECO<sup>S</sup>" načinu.
- "ECO<sup>S</sup>" funkcija bazira na 7 dnevnem ciklu. Po vklopu te funkcije se prvi teden vzdržuje temperatura vode v grelniku na 75 °C in elektronika snema izpuste zaporednih 7 dni in na podlagi merjenja  $\Delta T$  ugotavlja količino porabljene tople vode. Po preteku 7 dnevnega snemanja, se posneti režim začne avtomatsko izvajati in grelnik pripravlja količino tople vode glede na prejšnji teden. Ob izvajanju posnetega režima se le ta sočasno tudi snema. V primeru da se režim časovno ali volumsko razlikuje od režima posnetega prejšnji teden, se naslednji teden izvaja novo posneti režim.
- Temperatura vode se v "ECO<sup>S</sup>" načinu giblje med 40 °C in 75 °C. Kadar ni pričakovane porabe (stand by temperatura) je temperatura vode 40 °C.
- Če je v času snemanja prišlo do izpada električne energije ali izklopa delovanja grelnika posnetek ni veljaven.
- Izhod iz načina "ECO<sup>S</sup>" je mogoč z zasukom upravljalnega gumba na katero koli drugo pozicijo.

## Funkcija antilegionela

Funkcija je nastavljena tovarniško. Po priklopu na električno omrežje ali po izhodu iz napake se funkcija antilegionele vklopi po 3 dneh.

Ko je grelnik vključen in je temperatura vode v grelniku višja od 62 °C neprestano 15 min, se odštevanje zaključí. Takoj ko temperatura pade pod 62 °C, se ponovno začne odštevanje 30 dni. Če grelnik v 30 dneh ne doseže 62 °C, se vključi funkcija antilegionela in grelnik segreje vodo na 62 °C za 15 minut.

Če grelnik ni vključen ali ni priključen na električno omrežje in se izteče čas 30 dni, se funkcija antilegionele ne vključi dokler se grelnik ne vklopi.

Če je funkcija antilegionele v teku in uporabnik grelnik izključi, se funkcija prekine in začne se ponovno štetje 30 dni.

Če uporabnik zniža nastavljeno temperaturo med izvajanjem funkcije antilegionele, se funkcija prekine in začne se ponovno štetje 30 dni.

## Indikacija napak

V primeru napake ali opozorila na grelniku, pričneta z utripanjem rdeče in zelene lučke signalizirati napako glede na spodnjo tabelo.

STATUS	RDEČA lučka	ZELENA lučka
<b>Normalno delovanje</b>		
Grelnik izključen	/	/
Grelnik vključen, ni napake, grelec ne deluje	/	/
Grelnik vključen, ni napake, grelec deluje	<b>SVETI</b>	/
<b>Delovanje v "ECO<sup>S</sup>" načinu</b>		
Grelnik vključen, ni napake, grelec ne deluje	/	<b>SVETI</b>
Grelnik vključen, ni napake, grelec deluje	<b>SVETI</b>	<b>SVETI</b>
<b>NAPAKE (kličite servis)</b>		
Grelnik vključen, napaka temp. senzorja (senzor 1 ali senzor 2 v kratkem stiku ali odprti tokokrog, napaka razlike temp.)	<b>UTRIPA</b>	<b>UTRIPA</b>
Grelnik vključen, opozorilo grelec	<b>UTRIPA</b>	<b>UTRIPA</b>

Če grelnika ne mislite uporabljati dalj časa in ga izklopite, ali če ga izključite iz električnega omrežja, morate ob nevarnosti zamrznitve vodo iz njega iztočiti! Voda iz grelnika se izprazni skozi dotočno cev grelnika. V ta namen je priporočljivo ob vgradnji med varnostni ventil in dotočno cev namestiti poseben fitting (T-člen) ali izpustni ventil. Grelnik lahko izpraznite tudi neposredno skozi varnostni ventil s pomikom ročice oziroma s pomikom vrtljive kapice v položaj kot pri preverjanju delovanja. Pred praznjenjem je grelnik potrebno izključiti iz električnega omrežja in nato odpreti ročico za toplo vodo na priključeni mešalni bateriji. Po izpraznitvi vode skozi dotočno cev, v grelniku ostane manjša količina vode, ki izteče skozi odprtino grelne prirobnice ob odstranitvi grelne prirobnice.

Zunanost grelnika čistite z blago raztopino pralnega praška. Ne uporabljajte razredčil in grobih čistilnih sredstev.

Z rednimi servisnimi pregledi boste zagotovili brezhibno delovanje in dolgo življenjsko dobo grelnika. Garancija za prerjavenje kotla velja le, če ste izvajali predpisane redne preglede izrabljenosti zaščitne anode. Obdobje, med posameznimi rednimi pregledi, ne sme biti daljše od 36 mesecev. Pregledi morajo biti izvedeni s strani pooblaščenega serviserja, ki Vam pregled evidentira na garancijskem listu proizvoda. Ob pregledu preveri izrabljenost protikorozijske zaščitne anode in po potrebi očisti vodni kamen, ki se glede na kakovost, količino in temperaturo porabljene vode nabere v notranjosti grelnika. Servisna služba vam bo po pregledu grelnika glede na ugotovljeno stanje priporočila tudi datum naslednje kontrole.

**Prosimo Vas, da morebitnih okvar na grelniku ne popravljate sami, ampak o njih obvestite najbližjo pooblaščenno servisno službo.**

# TEHNIČNE LASTNOSTI APARATA

Tip		TGR 30 SM	TGR 50 SM	TGR 80 SM	TGR 100 SM	TGR 120 SM
Določeni profil obremenitve		S	M	M	L	L
Razred energijske učinkovitosti <sup>1)</sup>		C	C	C	C	C
Energijska učinkovitost pri ogrevanju vode ( $\eta_{wh}$ ) <sup>1)</sup>	[%]	34,5	37,3	37,2	38,0	37,6
Letna poraba električne energije <sup>1)</sup>	[kWh]	531	1378	1381	2691	2725
Dnevna poraba električne energije <sup>2)</sup>	[kWh]	2,715	6,985	7,251	13,502	13,843
Nastavitev temperature termostata		"eco"	"eco"	"eco"	"eco"	"eco"
Vrednost "smart" <sup>3)</sup>		1	1	1	1	1
Tedenska poraba električne energije s pametnim upravljanjem	[kWh]	14,801	26,658	30,211	55,225	55,725
Tedenska poraba električne energije brez pametnega upravljanja	[kWh]	15,998	29,071	34,121	59,985	61,057
Prostornina	[l]	30,4	47,5	76,1	96,1	116,4
Količina mešane vode pri 40 °C V40 <sup>2)</sup>	[l]	-	67	116	134	168
Čas segrevanja od 10 °C do 65 °C	[h]	0:59	1:38	2:37	3:16	3:55
Nazivni tlak	[MPa (bar)]	0,6 (6)				
Masa / napolnjen z vodo	[kg]	20/50	24/74	30/110	34/134	38/158
Protikorozijska zaščita kotla		Emajlirano / Mg anoda				
Priključna moč	[W]	2000				
Napetost	[V~]	230				
Razred zaščite		I				
Stopnja zaščite		IP24				

1) Uredba komisije EU 812/2013; EN 50440

2) EN 50440

3) Podatki o energijski učinkovitosti in porabi energije veljajo samo ob vključeni pametni krmilni napravi.

PRIDRŽUJEMO SI PRAVICO DO SPREMEMB, KI NE VPLIVAJO NA FUNKCIONALNOST APARATA.

Navodila za uporabo so na voljo tudi na naših spletnih straneh

<http://www.gorenje.com> .

## UPOZORENJA

- ⚠ Uređaj mogu da koriste deca starija od 8 godina i osobe sa smanjenim telesnim, osetnim ili mentalnim sposobnostima, odnosno nedovoljnim iskustvom ili znanjem samo ako su pod nadzorom ili podučeni o upotrebi aparata na bezbedan način i ako razumeju potencijalne opasnosti.
- ⚠ Deca ne smeju da se igraju uređajem.
- ⚠ Čišćenja i održavanja uređaja ne smeju da obavljaju deca bez nadzora.
- ⚠ Ugradnja mora biti izvedena u skladu sa važećim propisima i prema uputstvima proizvođača. Mora je obaviti stručno osposobljeni monter.
- ⚠ Kod zatvorenog sistema pritiska, prilikom priključivanja potrebno je na dotočnu cev bojlera obavezno ugraditi sigurnosni ventil sa potrebnim pritiskom 0,6 MPa (6 bar), 0,9 MPa (9 bar) ili 1,0 MPa (10 bar) (vidite tablicu sa natpisom), koji sprečava povećanje pritiska u kotlu za više od 0,1 MPa (1 bar) iznad nazivnog.
- ⚠ Voda može da kaplje iz odvodnog otvora sigurnosnog ventila, zato odvodni otvor mora da bude otvoren na atmosferski pritisak.
- ⚠ Ispust sigurnosnog ventila mora da bude postavljen u smeru na dole i na mestu na kome neće smrznuti.
- ⚠ Za pravilan rad sigurnosnog ventila potrebno je periodično obavljati kontrole, odstranjivati vodeni kamenac i proveravati da sigurnosni ventil nije blokiran.
- ⚠ Između bojlera i sigurnosnog ventila nije dozvoljeno ugrađivati ventil za zatvaranje, jer time onemogućavate zaštitu bojlera pod pritiskom!
- ⚠ Pre električnog priključivanja, potrebno je bojler obavezno najpre napuniti vodom!
- ⚠ Bojler je zaštićen za slučaj otkazivanja radnog termostata dodatnim toplotnim osiguračem. U slučaju otkazivanja termostata, u skladu sa sigurnosnim standardima, voda u bojleru može da dostigne temperaturu i do 130 °C. Prilikom montiranja vodovodnih instalacija, potrebno je obavezno uzeti u obzir da može doći do navedenih temperaturnih preopterećenja.

- ⚠** Ako bojler isključite iz električne mreže, zbog opasnosti od zamrzavanja, morate da ispustite vodu iz njega.
- ⚠** Molimo da eventualne kvarove ne popravljate sami nego da o njima obavestite najbližu servisnu službu.



Naši proizvodi su opremljeni komponentama koje nisu štetne po zdravlje i životnu sredinu i napravljeni su tako da ih u njihovoj zadnjoj životnoj fazi možemo što jednostavnije rastaviti i reciklirati.

Reciklažom materijala smanjujemo količine otpadaka i smanjujemo potrebu za proizvodnjom osnovnih materijala (na primer metala) koja zahteva ogromno energije i uzrokuje ispuste štetnih materija. Reciklažnim postupcima tako smanjujemo potrošnju prirodnih resursa jer otpadne delove od plastike i metala ponovo vraćamo u različite proizvodne procese. Za više informacija o sistemu odlaganja otpadaka posetite svoj centar za odlaganje otpadaka ili trgovca, kod koga je proizvod kupljen.

## **Poštovani kupci, zahvaljujemo da ste kupili naš proizvod. MOLIMO DA PRE MONTAŽE I PRVE UPOTREBE BOJLERA PAŽLJIVO PROČITATE UPUTSTVO.**

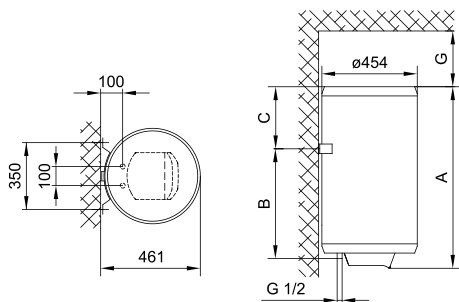
U skladu sa najnovijim smernicama, mi smo za svoje zahtevnije kupce razvili električni bojler vode TGR koji je opremljen inteligentnim elektronskim regulatorom koji sem podešavanja temperature vode u bojleru omogućava i "ECO<sup>S</sup>" pametni način rada. Bojler na osnovu snimanja vaših navika nakon određenog perioda automatski izračunava optimalni način rada koji omogućava najmanju potrošnju električne energije koja je potrebna za zadovoljavanje vaših potreba za toplom vodom.

Bojler je proizveden u skladu sa važećim standardima i zvanično je ispitano, za njega je izdat bezbednosni sertifikat i sertifikat o elektromagnetskoj kompatibilnosti. Njegove osnovne tehničke karakteristike su navedene na natpisnoj pločici koja je zalepljena između priključnih cevi. Priklučenje bojlera na vodovodnu i električnu mrežu može da izvrši samo stručnjak koji je osposobljen za to. Bilo kakav zahvat u unutrašnjost bojlera zbog popravljivanja, uklanjanja vodenog kamenca i proveravanja ili zamenjivanja protivkorozivne zaštitne anode, može da izvršiti samo ovlašćena servisna služba.

## **MONTAŽA**

Montirajte bojler što bliže priključku za vodu i pričvrstite ga na zid odgovarajućim vijcima. Ako bojler ugradite u prostoriju u kojoj je kada za kupanje ili tuš, obavezno bi trebalo da se uvažavaju zahtevi standarda IEC 60364-7-701 (VDE 0100, Teil 701). Na zid ga pričvrstite pomoću dva zavrtnja za montažu na zid, sa nominalnim presekom od najmanje 8 mm. Ako je nosivost zida neodgovarajuća, mesto na kome montirate bojler morate da ojačate na odgovarajući način. Bojler se pričvršćuje na zid isključivo vertikalno. Zbog lakše kontrole i zamene magnezijumove anode preporučujemo vam da između vrha grejača i tavanice ostavite dovoljno prostora (vidi

meru G na skici priključnih mera). U suprotnom slučaju biće prilikom navedene intervencije potrebno grejač demontirati sa zida.



	A	B	C	G
TGR 30 SM	476	275	173	80
TGR 50 SM	578	365	185	130
TGR 80 SM	783	565	190	180
TGR 100 SM	943	715	200	260
TGR 120 SM	1098	865	205	260

Priključne i montažne mere bojlera  
[mm]

## PRIKLJUČIVANJE NA VODOVOD

Dovod i odvod vode su označeni bojama na cevima bojlera. Dovod hladne vode je označen plavom, a odvod tople vode crvenom bojom. Bojler možete da priključite na vodovodnu mrežu na dva načina. Zatvoreni sistem (pod pritiskom), omogućava ispuštanje vode na više mesta, a otvoreni sistem (bez pritiska) dozvoljava samo jedno mesto ispuštanja vode.

S obzirom na sistem priključivanja koji izaberete, morate da ugradite i adekvatnu bateriju za mešanje. Kod otvorenog sistema (bez pritiska) ispred bojlera morate da ugradite nepovratni ventil koji sprečava izlivanje vode iz kotla, ako nestane vode u vodovodnoj mreži.

Kod ovog sistema priključivanja morate da ugradite protočnu bateriju za mešanje. U boileru se zbog zagrevanja povećava zapremina vode, što uzrokuje kapljanje iz cevi baterije za mešanje. Jakim zatezanjem ručice baterije za mešanje nećete sprečiti kapljanje nego možete samo da pokvarite bateriju.

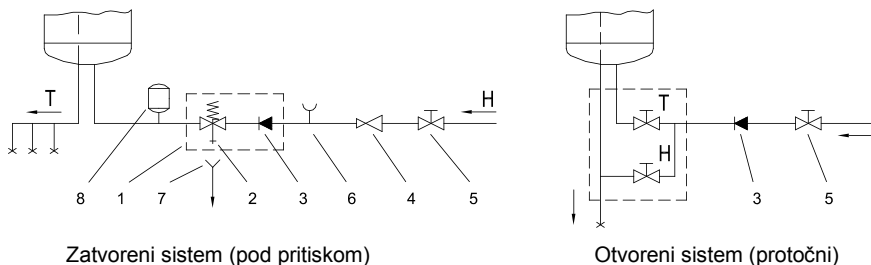
Kod zatvorenog sistema priključivanja (pod pritiskom), na mestima ispuštanja vode morate ga ugradite baterije za mešanje, namenjene za rad pod pritiskom. Na odvodnu cev bi trebalo radi bezbednosti rada obavezno da se ugradi sigurnosni ventil ili sigurnosnu komponentu koja sprečava povećanje pritiska u kotlu za više od 0,1 MPa (1 bar) više od nominalnog. Otvor za ispuštanje vode na sigurnosnom ventilu mora obavezno da ima izlaz na atmosferski pritisak.

Kad se voda u kotlu zagreva, povećava se i pritisak, ali do granice koju dozvoljava sigurnosni ventil. Pošto je vraćanje vode u vodovodnu mrežu blokirano, može doći do kapanja vode iz odlivnog otvora sigurnosnog ventila. Te kapljice vode možete da usmerite u odvod preko posebnog sistema za ispuštanje vode, koji morate da postavite ispod sigurnosnog ventila.

Odvodna cev, smeštena ispod elementa za ispuštanje na sigurnosnom ventilu, mora da bude nameštena u smeru pravo nadole i na temperaturi na kojoj ne smrzava.

U slučaju da zbog već postavljene instalacije nemate mogućnost da vodu koja kapa iz sigurnosnog ventila sprovedete u odvod, kapanje možete da izbegnete tako da na dovodnu cev bojlera ugradite ekspanzione posude zapremine od 3 l. Za pravilan rad

sigurnosnog ventila morate sami periodično da vršite kontrolu da biste uklonili vodeni kamenac i proverili eventualne blokade sigurnosnog ventila. Kod proveravanja, pomicanjem ručke ili odvijanjem matice zavrtnja (zavisno od vrste zavrtnja) otvorite ispuštanje iz sigurnosnog ventila. Pri tome kroz mlaznicu ventila za isticanje mora da proteče voda, kao znak da je ventil besprekoran.



Legenda:

- |                                  |                                   |
|----------------------------------|-----------------------------------|
| 1 - Sigurnosni ventil            | 6 - Ispitni nastavak              |
| 2 - Ventil za testiranje         | 7 - Cevak sa priključkom na odvod |
| 3 - Nepovratni ventil            | 8 - Ekspanzioni sud               |
| 4 - Ventil za redukciju pritiska | H - Hladna voda                   |
| 5 - Zaporni ventil               | T - Topla voda                    |

**Između bojlera i sigurnosnog ventila ne sme da se ugrađuje ventil za zatvaranje vode jer bi se time onemogućilo delovanje sigurnosnog ventila.**

Bojler možete da priključite na vodovodnu mrežu objekta bez redukcionog ventila ako je pritisak u mreži niži od nominalnog pritiska. Ako je pritisak u mreži viši od nominalnog pritiska, morate obavezno da ugradite redukциони ventil.

**Pre nego što priključite bojler na električnu mrežu obavezno ga napunite vodom.** Prilikom prvog punjenja otvorite slavinu za toplu vodu. Bojler je pun kad iz slavine počne da teče voda.

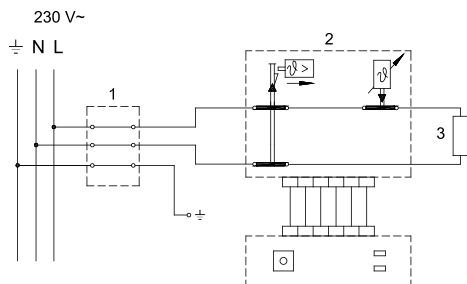
## PRIKLJUČIVANJE NA ELEKTRIČNU MREŽU

Pre priključivanja na električnu mrežu potrebno je da u bojler ugradite priključnu traku minimalnog preseka od najmanje  $1,5 \text{ mm}^2$  (H05VV-F 3G  $1,5 \text{ mm}^2$ ). Da bi se to učinilo, odvijte zaštitni poklopac na bojleru.



Priključenje bojlera na električnu mrežu mora da se izvrši u skladu sa standardima za postavljanje električne instalacije. Između bojlera i trajne instalacije mora da bude ugrađen uređaj za odvajanje svih polova od električne mreže u skladu sa nacionalnim instalacionim propisima. Kod prvog priključivanja ili svakog ponovnog priključivanja na priključni napon, na prednjoj ploči se pale obe lampice na 2

sekunda.



Legenda:

- 1 - Prikjučne klemme
- 2 - Elektronski regulator i dvopolni toplinski osigurač
- 3 - Grejač

L - Faza

N - Neutralni provodnik

⊥ - Uzemljenje

Šema povezivanja električnih provodnika

**UPOZORENJE: Pre svake intervencije u unutrašnjosti bojlera obavezno isključite bojler iz električne mreže!**

## UPOTREBA I ODRŽAVANJE

Posle priključivanja na vodovodnu i električnu mrežu bojler je spreman za upotrebu. Bojler sadrži elektronski regulator koji omogućava podešavanje temperature vode, prilagođavanje rada bojlera s obzirom na vaše navike (program "ECO<sup>SM</sup>") i dijagnostiku grešaka.

### UPRAVLJANJE

Bojlerom vode upravljate okrećući rotaciono dugme na željeni nivo.



### Uključenje/isključenje bojlera

- Za uključenje bojlera okrećite dugme u smeru kretanja kazaljke na satu, i to do željenog nivoa temperature.
- Za isključenje bojlera okrenite dugme na položaj "0" (ako bojleru isključite napajanje, morate da ispustite vodu iz njega zbog opasnosti od smrzavanja).



## Podešavanje temperature

- Okretanjem dugmeta u smeru kretanja kazaljke na satu podešavate željeni nivo temperature.

ECO<sup>S</sup> - Temperatura zavisi od snimljenih potreba korisnika.



- Zaštita od smrzavanja, temperatura približno 10 °C.



- Temperatura vode približno 35 °C.

ECO - Temperatura vode približno 55 °C.



- Temperatura vode približno 75 °C.

## Rad bojlera u načinu "ECO<sup>S</sup>"

- Ovaj način rada je podesan pre svega ukoliko imate prilično ustaljene navike po pitanju potrošnje tople vode (primer: tuširanje svaki dan približno u isto vreme). Za vreme snimanja elektronika beleži vaše navike koje uvažava prilikom zagrevanja vode. Rad u načinu "ECO<sup>S</sup>" smanjuje potrošnju električne energije.
- "ECO<sup>S</sup>" način rada bojlera uključite okretanjem upravljačkog dugmeta u smeru suprotnom od smera kretanja kazaljki na satu. Istovremeno se pale crvena i zelena lampica. Crvena signalizuje rad grejača, a zelena rad u načinu "ECO<sup>S</sup>".
- "ECO<sup>S</sup>" funkcija je zasnovana na 7-dnevnom ciklusu. Nakon uključenja ove funkcije, tokom prve nedelje se temperatura vode u bojleru održava na 75 °C i elektronika snima ispuštanja tokom 7 dana zaredom i na osnovu merenja  $\Delta T$  utvrđuje količinu potrošene tople vode. Posle 7-dnevnog snimanja, snimljeni režim počinje da radi automatski i bojler priprema količinu tople vode s obzirom na prethodnu nedelju. Za vreme vršenja snimljenog režima, snimljeni režim se istovremeno i snima. Ukoliko se režim vremenski ili količinski razlikuje od režima snimljenog prethodne nedelje, sledeće nedelje se vrši novi snimljeni režim.
- Temperatura vode u načinu "ECO<sup>S</sup>" se menja od 40 °C do 75 °C. Kada nema očekivane potrošnje (stand by temperatura), temperatura vode iznosi 40 °C.
- Ako je za vreme snimanja došlo do prekida električne energije ili isključenja rada bojlera, snimak nije važeći.
- Izlaz iz načina "ECO<sup>S</sup>" je omogućen okretanjem upravljačkog dugmeta na bilo koji drugi položaj.

## Funkcija antilegionela

Funkcija je podešena fabrički. Posle priključenja na električnu mrežu ili nakon izlaska iz greške, funkcija antilegionele se uključuje nakon 3 dana.

Kada je bojler uključen i temperatura vode u bojleru viša od 62 °C neprestano 15 min, završava odbrojavanje. Čim se temperatura spusti niže od 62 °C, ponovo započinje odbrojavanje 30 dana. Ako bojler u roku od 30 dana ne dostigne 62 °C, uključuje se funkcija antilegionela i bojler zagreva vodu na 62 °C na 15 minuta.

Ako bojler nije uključen ili nije priključen na električnu mrežu te ističe vreme od 30 dana, funkcija antilegionele se ne uključuje dok se bojler ne uključi.

Ako je funkcija antilegionele u toku i korisnik isključi bojler, funkcija se prekida i počinje ponovno brojanje 30 dana.

Ako korisnik smanji podešenu temperaturu za vreme rada funkcije antilegionele, funkcija se prekida i počinje ponovo brojanje od 30 dana.

## Indikacija grešaka

U slučaju greške ili upozorenja na bojleru, počinju da trepere crvena i zelena lampica kao signalizacija greške u odnosu na tabelu u nastavku.

STATUS	CRVENA lampica	ZELENA lampica
<b>Uobičajeni rad</b>		
Bojler isključen	/	/
Bojler uključen, nema greške, bojler ne radi	/	/
Bojler uključen, nema greške, bojler radi	<b>SVETLI</b>	/
<b>Rad u načinu "ECO<sup>S</sup>"</b>		
Bojler uključen, nema greške, bojler ne radi	/	<b>SVETLI</b>
Bojler uključen, nema greške, bojler radi	<b>SVETLI</b>	<b>SVETLI</b>
<b>GREŠKE (Pozovite servis)</b>		
Bojler uključen, greška temp. senzora (senzor 1 ili senzor 2 u kratkom spoju ili otvoreno strujno kolo, greška razlike temp.)	<b>TREPERI</b>	<b>TREPERI</b>
Bojler uključen, upozorenje bojlera	<b>TREPERI</b>	<b>TREPERI</b>

Ako ne nameravate da koristite bojler duže vremena, odnosno ako ga isključite iz električne mreže, morate da ispuštite vodu iz njega zbog opasnosti od smrzavanja! Voda iz bojlera se ispušta kroz dovodnu cev bojlera. U tom cilju preporučljivo je prilikom ugradnje između sigurnosnog ventila i dovodne cevi grejanja namestiti poseban "fiting" (T-deo) ili ispusni ventil. Bojler takođe možete da ispraznite i neposredno kroz sigurnosni ventil pomeranjem ručice, odnosno obrtne kapice ventila u položaj kao prilikom proveravanja rada. Pre pražnjenja isključite bojler iz električne mreže i zatim otvorite ručicu za toplu vodu na priključenoj bateriji za mešanje. Posle pražnjenja vode kroz dovodnu cev, u bojleru ostaje manja količina vode koja ističe prilikom odstranjivanja grejne priрубnice kroz otvor grejne priрубnice. Kućište bojlera čistite blagim rastvorom praška za pranje. Ne upotrebljavajte razređivače ni gruba sredstva za čišćenje.

Efikasno delovanje bez greški i dug životni vek bojlera omogućićete redovnim servisnim pregledima. Za prerdali kotao garancija važi samo ako ste redovno vršili propisane redovne preglede istrošenosti zaštitne anode. Period između pojedinačnih redovnih pregleda ne sme da bude duži od 36 meseci. Preglede mora da obavi ovlašćen serviser koji taj zahvat registruje na garantnom listu proizvoda. Kod pregleda proverava istrošenost protikorozivne zaštitne anode i po potrebi očistiće vodni kamenac koji se, s obzirom na kvalitet, količinu i temperaturu potrošene vode, skuplja u bojleru. Servisna služba će vam na osnovu utvrđenog stanja preporučiti datum za narednu kontrolu.

**Molimo da eventualne kvarove ne popravljate sami nego da o njima obavestite najbližu servisnu službu.**

# TEHNIČKE KARAKTERISTIKE BOJLERA

Tip		TGR 30 SM	TGR 50 SM	TGR 80 SM	TGR 100 SM	TGR 120 SM
Određeni profil opterećenja		S	M	M	L	L
Razred energetske efikasnosti <sup>1)</sup>		C	C	C	C	C
Energetsa efikasnost pri zagrevanju vode ( $\eta_{wh}$ ) <sup>1)</sup>	[%]	34,5	37,3	37,2	38,0	37,6
Godišnja potrošnja električne energije <sup>1)</sup>	[kWh]	531	1378	1381	2691	2725
Dnevna potrošnja električne energije <sup>2)</sup>	[kWh]	2,715	6,985	7,251	13,502	13,843
Podešavanje temperature termostata		"eco"	"eco"	"eco"	"eco"	"eco"
Vrednost "smart" <sup>3)</sup>		1	1	1	1	1
Nedeljna potrošnja električne energije sa pametnim upravljanjem	[kWh]	14,801	26,658	30,211	55,225	55,725
Nedeljna potrošnja električne energije bez pametnog upravljanja	[kWh]	15,998	29,071	34,121	59,985	61,057
Zapremina	[l]	30,4	47,5	76,1	96,1	116,4
Količina mešane vode na 40 °C V40 <sup>2)</sup>	[l]	-	67	116	134	168
Vreme zagrevanja od 10 °C do 65 °C	[h]	0:59	1:38	2:37	3:16	3:55
Nominalni pritisak	[MPa (bar)]	0,6 (6)				
Masa/napunjen vodom	[kg]	20/50	24/74	30/110	34/134	38/158
Antikorozivna zaštita kotla		emajlirano / Mg anoda				
Snaga električnog grejača	[W]	2000				
Napon napajanja	[V~]	230				
Klasa zaštite		I				
Stepen zaštite		IP24				

1) Uredba komisije EU 812/2013; EN 50440

2) EN 50440

3) Podaci o energetskej efikasnosti i potrošnji energije važe samo kada je uključen pametni upravljački uređaj.

ZADRŽAVAMO PRAVO NA PROMENE, KOJE NE UTIČU NA FUNKCIONALNOST APARATA.

Uputstvo za upotrebu je na raspolaganju i na našoj internet strani  
<http://www.gorenje.com> .

