

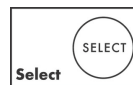
AXOR ShowerSolutions
Thermostat for concealed installation round for 2 functions
 Surfaces: **Chrome** Article Number: **36723000**



product features

- 2 functions
- Select push-button on/off control for 2 outlets
- simultaneous use of several outlets
- flow rate upper outlet: 25 l/min
- flow rate lower outlet: 23 l/min
- thermostat cartridge
- safety lock at 40° C
- temperature limitation adjustable
- connection type: basic set
- Thermostat is delivered with buttons Rain large and hand shower

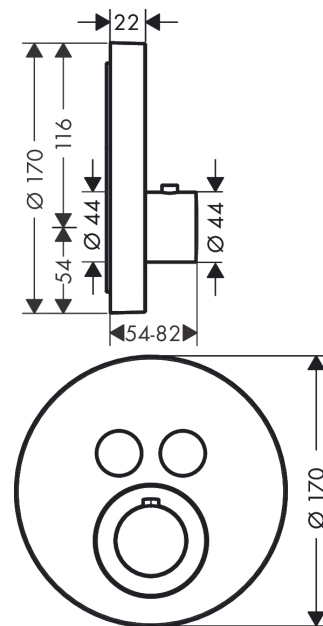
Technology



Product image



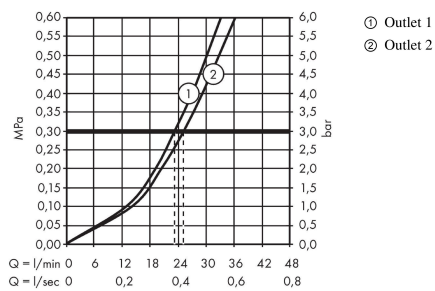
Scale drawing



AXOR ShowerSolutions
Thermostat for concealed installation round for 2 functions
Surfaces: **Chrome** Article Number: **36723000**



Flowchart

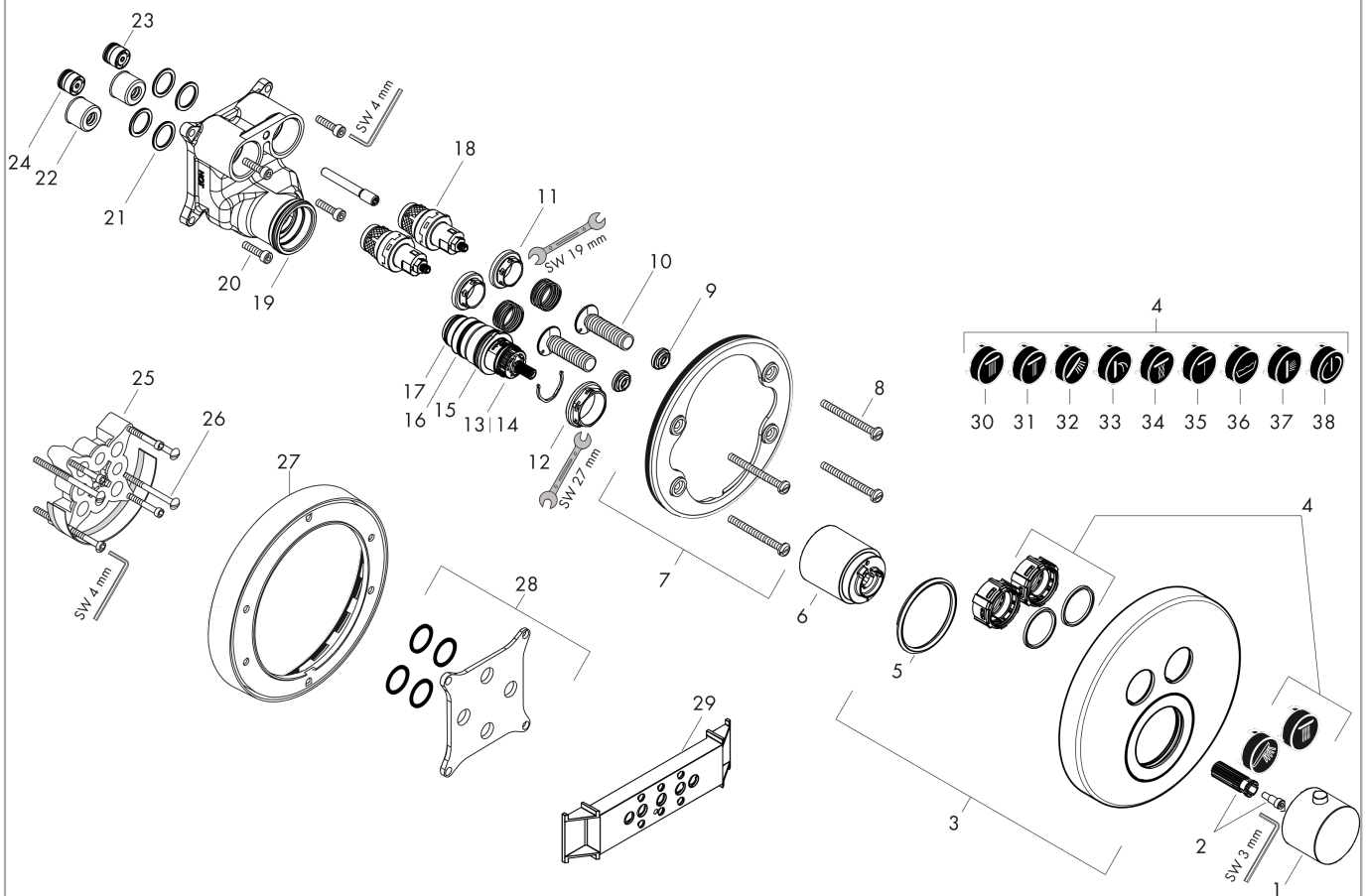


AXOR ShowerSolutions
Thermostat for concealed installation round for 2 functions
 Surfaces: **Chrome** Article Number: **36723000**



Exploded Drawing

Year of production: >07/17



AXOR ShowerSolutions
Thermostat for concealed installation round for 2 functions
 Surfaces: **Chrome** Article Number: **36723000**



Spare part list

Year of production: >07/17

Pos.		Article Number	Price	PU
1	handle for thermostat	92840000	-	1
2	handle fixing set	95843000	-	1
3	escutcheon Ø 170 mm	93031000	-	1
4	set of symbols	92544610	-	1
5	O-Ring 48x3	95508000	-	1
6	sleeve	92216000	-	1
7	holder for escutcheon	98793000	-	1
8	set of fixing screws	96454000	-	1
9	nut and flange	92696000	-	1
10	Select-adapter	92219000	-	1
11	nut	98368000	-	1
12	nut	98913000	-	1
13	thermostat cartridge	98282000	-	1
14	cartridge for exchanged connections	92373000	-	1
15	O-ring 25x2,5	92146000	-	1
16	O-ring 25x1,5	98146000	-	1
17	O-ring 20x1,5	98197000	-	1
18	shut off unit	95758000	-	1
19	O-ring 36x2	98156000	-	1
20	set of screws	96525000	-	1
21	O-ring 16x2	98133000	-	1
22	noise reduction	94073000	-	1
23	non return valve	97980000	-	1
24	non return valve (pressure-resistant up to 2 MPa)	92594000	-	1
25	extension 25 mm	13595000	-	1
26	set of fixing screws	97747000	-	1
27	extension 22 mm (Ø 170 mm)	13596000	-	1
28	compensation set 1°	95521000	-	1
29	fit-up aid	92540000	-	1
30	symbol head shower Rain large	93571610	-	1
31	symbol head shower Rain small	93572610	-	1
32	symbol handshower	93573610	-	1
33	symbol Flood jet	93574610	-	1
34	symbol Whirl	93575610	-	1

AXOR ShowerSolutions
Thermostat for concealed installation round for 2 functions
 Surfaces: **Chrome** Article Number: **36723000**



Spare part list

Year of production: >07/17

Pos.		Article Number	Price	PU
35	symbol Mono	93576610	-	1
36	symbol tub	93577610	-	1
37	symbol body shower	93578610	-	1
38	symbol ON/OFF	93579610	-	1
a	concealed item	01800180	-	1
b	adapter for exchanged connections	93181000	-	1
c	fixation set	96615000	-	1
d	Grease	90920000	-	1